

DRAWING SET INFO

50% SCHEMATIC DESIGN REVIEW	<input type="checkbox"/>
10% SCHEMATIC DESIGN REVIEW	<input type="checkbox"/>
50% DESIGN DEVELOPMENT REVIEW	<input type="checkbox"/>
10% DESIGN DEVELOPMENT REVIEW	<input type="checkbox"/>
50% CONSTRUCTION DOC. REVIEW	<input type="checkbox"/>
10% CONSTRUCTION DOC. REVIEW	<input type="checkbox"/>
BID AND CONSTRUCTION SET	<input type="checkbox"/>
FINAL RECORD - AS BUILT SET	<input type="checkbox"/>
FOR REFERENCE ONLY	<input type="checkbox"/>
STATE PLAN REVIEW	<input type="checkbox"/>

ADDENDUM/BULLETIN REVISIONS

Δ	DATE	DESCRIPTION
1		UPDATED 1/25/21
2		PUBLISHED 7/18/14
3		CLARIFIED GATE HEIGHT 9/10/15
4		
5		
6		
7		
8		
9		
10		
11		
12		
13		

SCALE

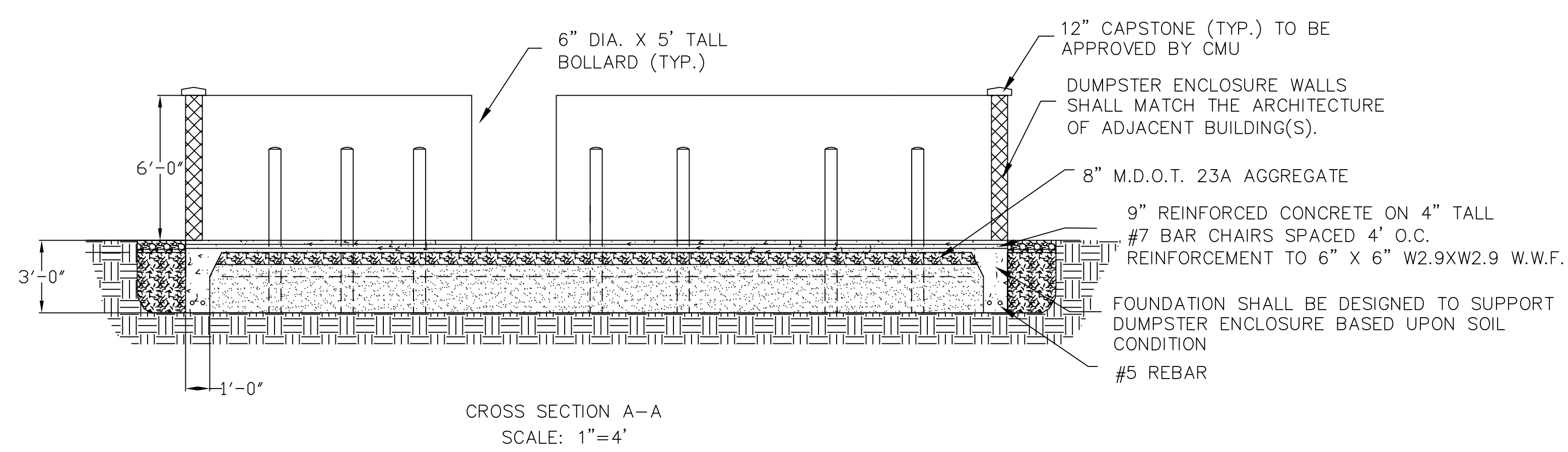
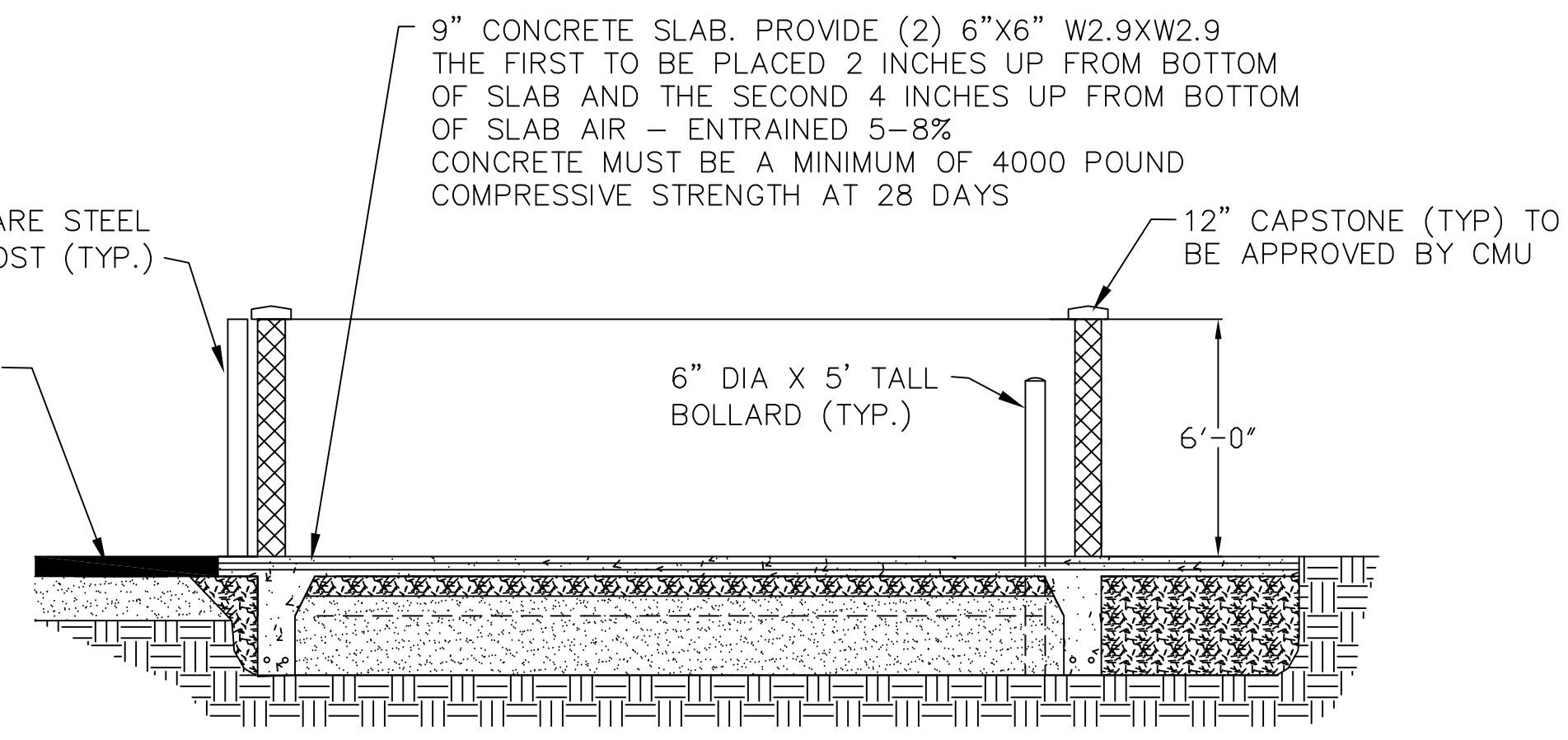
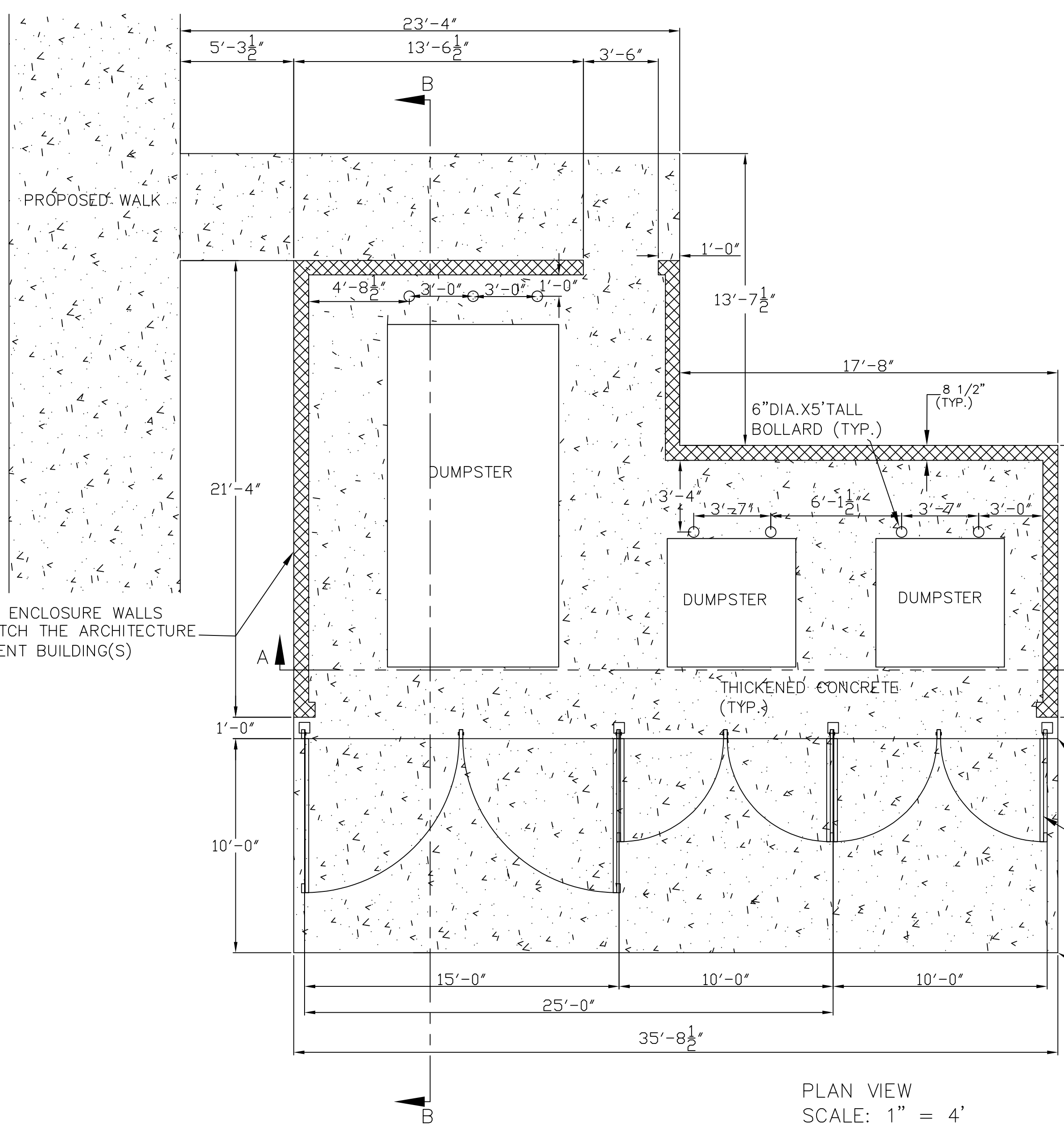
DRAWN BY: _____
 CHECKED BY: _____
 APPROVED BY: _____

SHEET NO. _____

A/E PROJECT NO. _____

CMU PROJECT NO. _____

NOTE:
 BOLLARDS TO BE 6" DIA SCH-80 STEEL PIPE FILLED WITH CONCRETE & YELLOW HDPE COVER. THE TOP & THE BASE OF THE PIPE TO HAVE 1" MINIMUM CROWN. PIPES TO EXTEND A MINIMUM OF 3' BELOW FINISHED SURFACE.

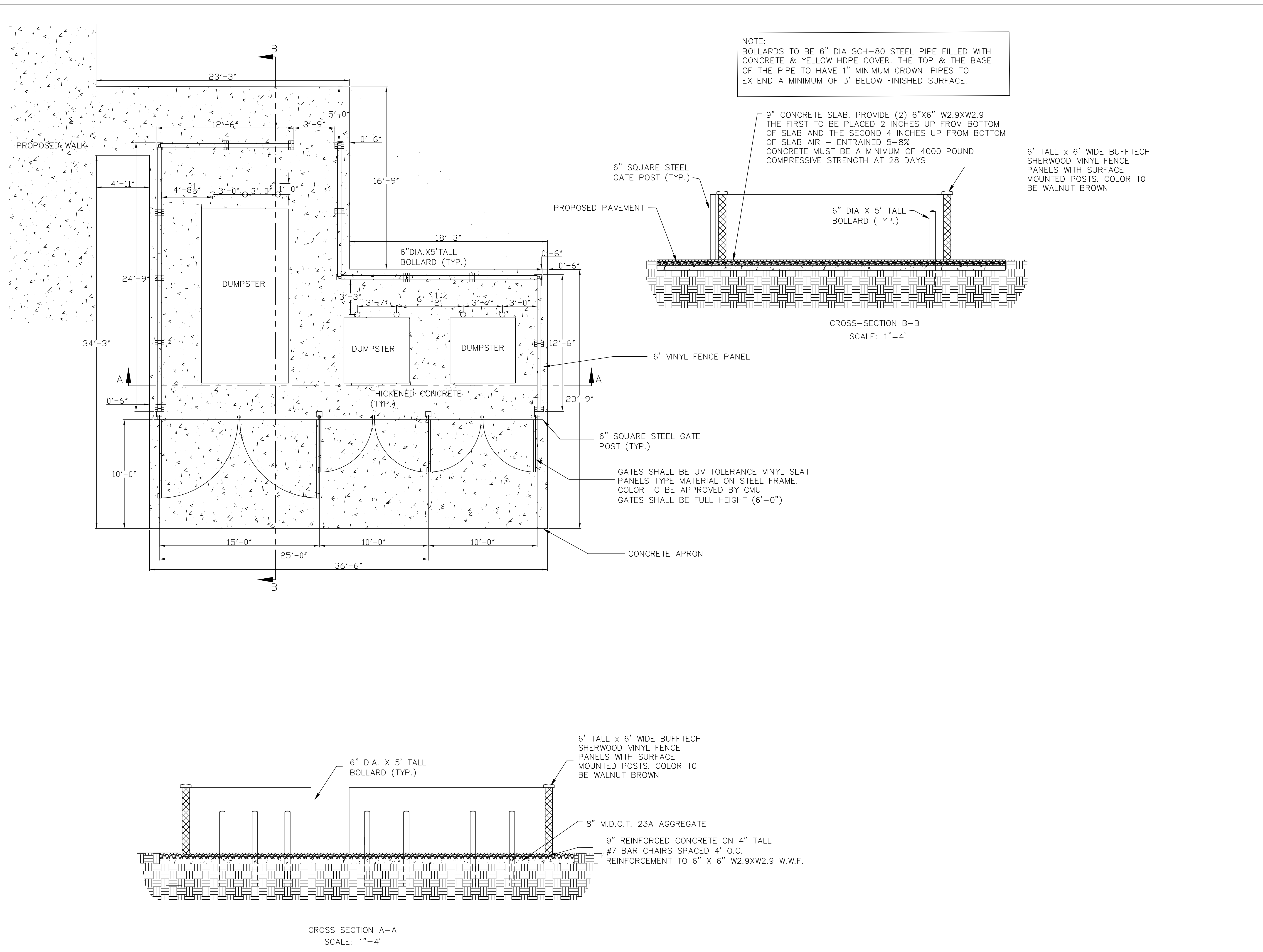


GATES SHALL BE UV TOLERANCE VINYL SLAT PANELS TYPE MATERIAL ON STEEL FRAME. COLOR TO BE APPROVED BY CMU. GATES SHALL BE FULL HEIGHT (6'-0")

FOUNDATION SHALL BE DESIGNED TO SUPPORT DUMPSTER ENCLOSURE BASED UPON SOIL CONDITION

PRODUCED BY AN AUTODESK STUDENT VERSION

PRODUCED BY AN AUTODESK STUDENT VERSION



NOTE:
 BOLLARDS TO BE 6" DIA SCH-80 STEEL PIPE FILLED WITH CONCRETE & YELLOW HDPE COVER. THE TOP & THE BASE OF THE PIPE TO HAVE 1" MINIMUM CROWN. PIPES TO EXTEND A MINIMUM OF 3' BELOW FINISHED SURFACE.

9" CONCRETE SLAB. PROVIDE (2) 6"X6" W2.9XW2.9 THE FIRST TO BE PLACED 2 INCHES UP FROM BOTTOM OF SLAB AND THE SECOND 4 INCHES UP FROM BOTTOM OF SLAB AIR - ENTRAINED 5-8% CONCRETE MUST BE A MINIMUM OF 4000 POUND COMPRESSIVE STRENGTH AT 28 DAYS

6' TALL x 6' WIDE BUFFTECH SHERWOOD VINYL FENCE PANELS WITH SURFACE MOUNTED POSTS. COLOR TO BE WALNUT BROWN

6" SQUARE STEEL GATE POST (TYP.)

6" DIA X 5' TALL BOLLARD (TYP.)

PROPOSED PAVEMENT

CROSS-SECTION B-B
 SCALE: 1"=4'

6' VINYL FENCE PANEL

6" SQUARE STEEL GATE POST (TYP.)

GATES SHALL BE UV TOLERANCE VINYL SLAT PANELS TYPE MATERIAL ON STEEL FRAME. COLOR TO BE APPROVED BY CMU. GATES SHALL BE FULL HEIGHT (6'-0")

CONCRETE APRON

6' TALL x 6' WIDE BUFFTECH SHERWOOD VINYL FENCE PANELS WITH SURFACE MOUNTED POSTS. COLOR TO BE WALNUT BROWN

8" M.D.O.T. 23A AGGREGATE

9" REINFORCED CONCRETE ON 4" TALL #7 BAR CHAIRS SPACED 4' O.C. REINFORCEMENT TO 6" X 6" W2.9XW2.9 W.W.F.

CROSS SECTION A-A
 SCALE: 1"=4'

CENTRAL MICHIGAN UNIVERSITY
 CMU DUMPSTER ENCLOSURE DETAIL OPTION B
 ARCHITECTURAL

DRAWING SET INFO

50% SCHEMATIC DESIGN REVIEW	<input type="checkbox"/>
95% SCHEMATIC DESIGN REVIEW	<input type="checkbox"/>
50% DESIGN DEVELOPMENT REVIEW	<input type="checkbox"/>
95% DESIGN DEVELOPMENT REVIEW	<input type="checkbox"/>
50% CONSTRUCTION DOC. REVIEW	<input type="checkbox"/>
95% CONSTRUCTION DOC. REVIEW	<input type="checkbox"/>
BID AND CONSTRUCTION SET	<input type="checkbox"/>
FINAL RECORD - AS BUILT SET	<input type="checkbox"/>
FOR REFERENCE ONLY	<input type="checkbox"/>
STATE PLAN REVIEW	<input type="checkbox"/>

ADDENDUM/BULLETIN REVISIONS

DATE	DESCRIPTION
1	UPDATED 1/25/21
2	PUBLISHED 7/18/14
3	CLARIFIED GATE HEIGHT 9/10/15
4	
5	
6	
7	
8	
9	
10	
11	
12	
13	

SCALE

DRAWN BY: _____
 CHECKED BY: _____
 APPROVED BY: _____

SHEET NO. _____

A/E PROJECT NO. _____

CMU PROJECT NO. _____