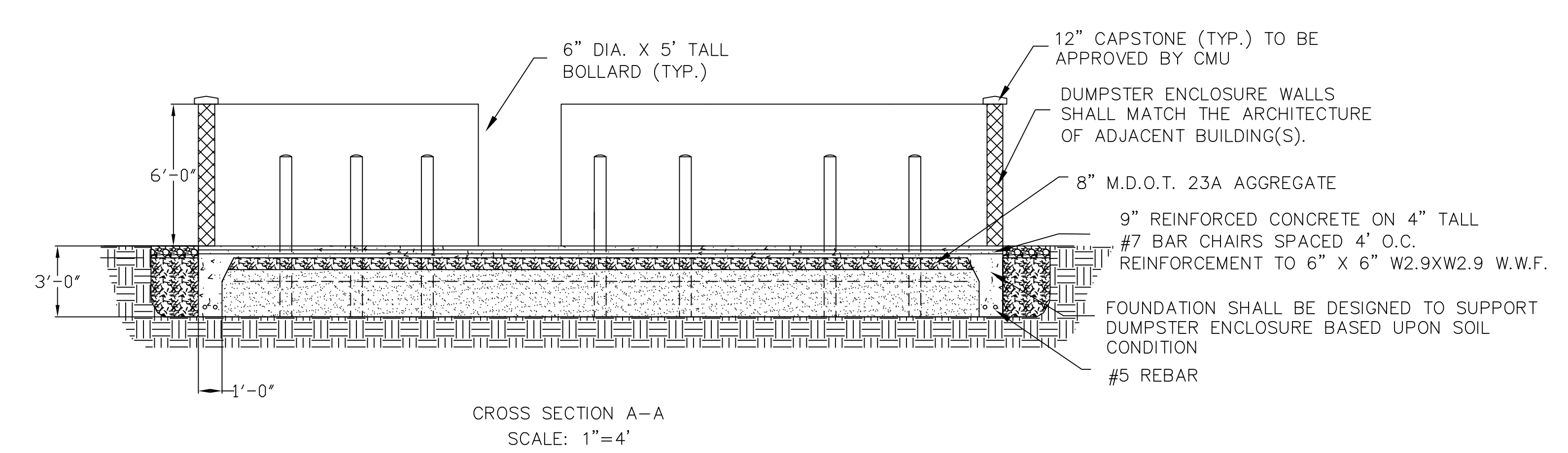
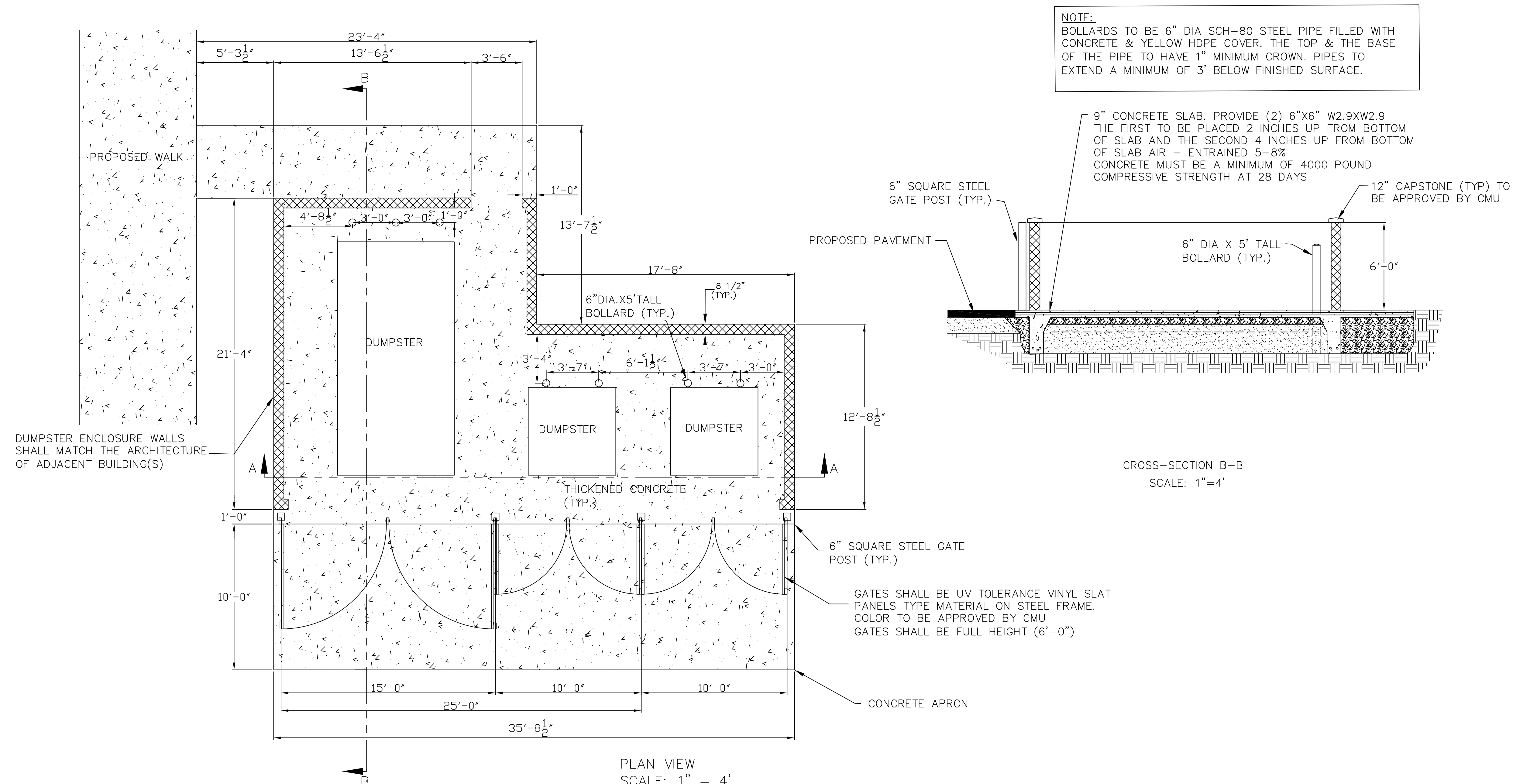


H
G
F
E
D
C
B
A



CENTRAL MICHIGAN UNIVERSITY
 CMU DUMPSTER ENCLOSURE DETAIL OPTION A
 ARCHITECTURAL

DRAWING SET INFO

50% SCHEMATIC DESIGN REVIEW	<input type="checkbox"/>
10% SCHEMATIC DESIGN REVIEW	<input type="checkbox"/>
50% DESIGN DEVELOPMENT REVIEW	<input type="checkbox"/>
10% DESIGN DEVELOPMENT REVIEW	<input type="checkbox"/>
50% DESIGN DEVELOPMENT REVIEW	<input type="checkbox"/>
10% DESIGN DEVELOPMENT REVIEW	<input type="checkbox"/>
50% CONSTRUCTION DOC. REVIEW	<input type="checkbox"/>
10% CONSTRUCTION DOC. REVIEW	<input type="checkbox"/>
50% CONSTRUCTION SET	<input type="checkbox"/>
10% CONSTRUCTION SET	<input type="checkbox"/>
FINAL RECORD - AS BUILT SET	<input type="checkbox"/>
FOR REFERENCE ONLY	<input type="checkbox"/>
STATE PLAN REVIEW	<input type="checkbox"/>

ADDENDUM/BULLETIN REVISIONS

DATE	DESCRIPTION
1	UPDATED 1/25/21
2	PUBLISHED 7/18/14
3	CLARIFIED GATE HEIGHT 9/10/15
4	
5	
6	
7	
8	
9	
10	
11	
12	
13	

SCALE

DRAWN BY: _____

CHECKED BY: _____

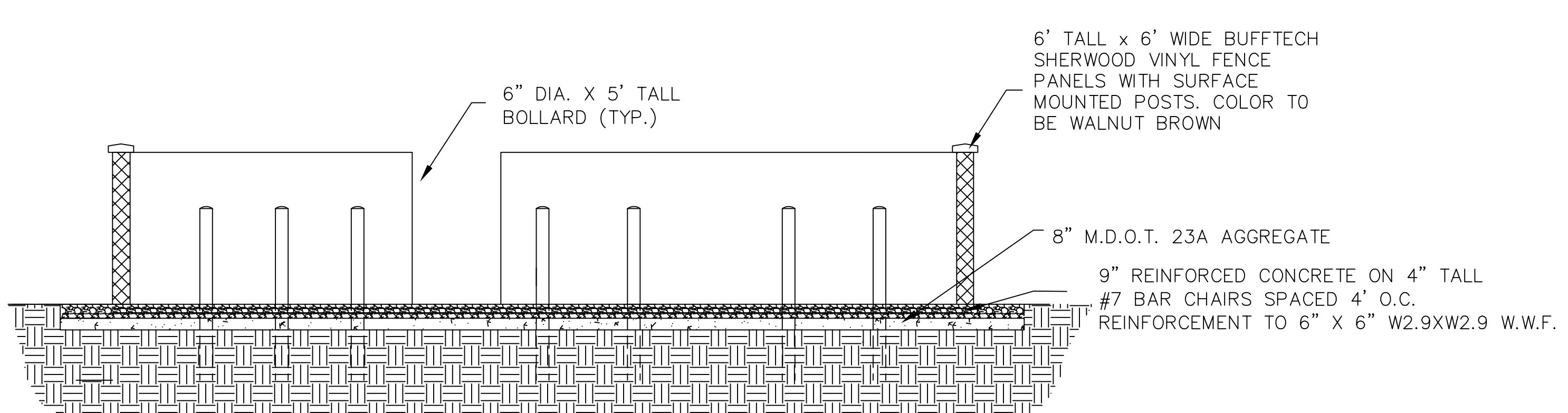
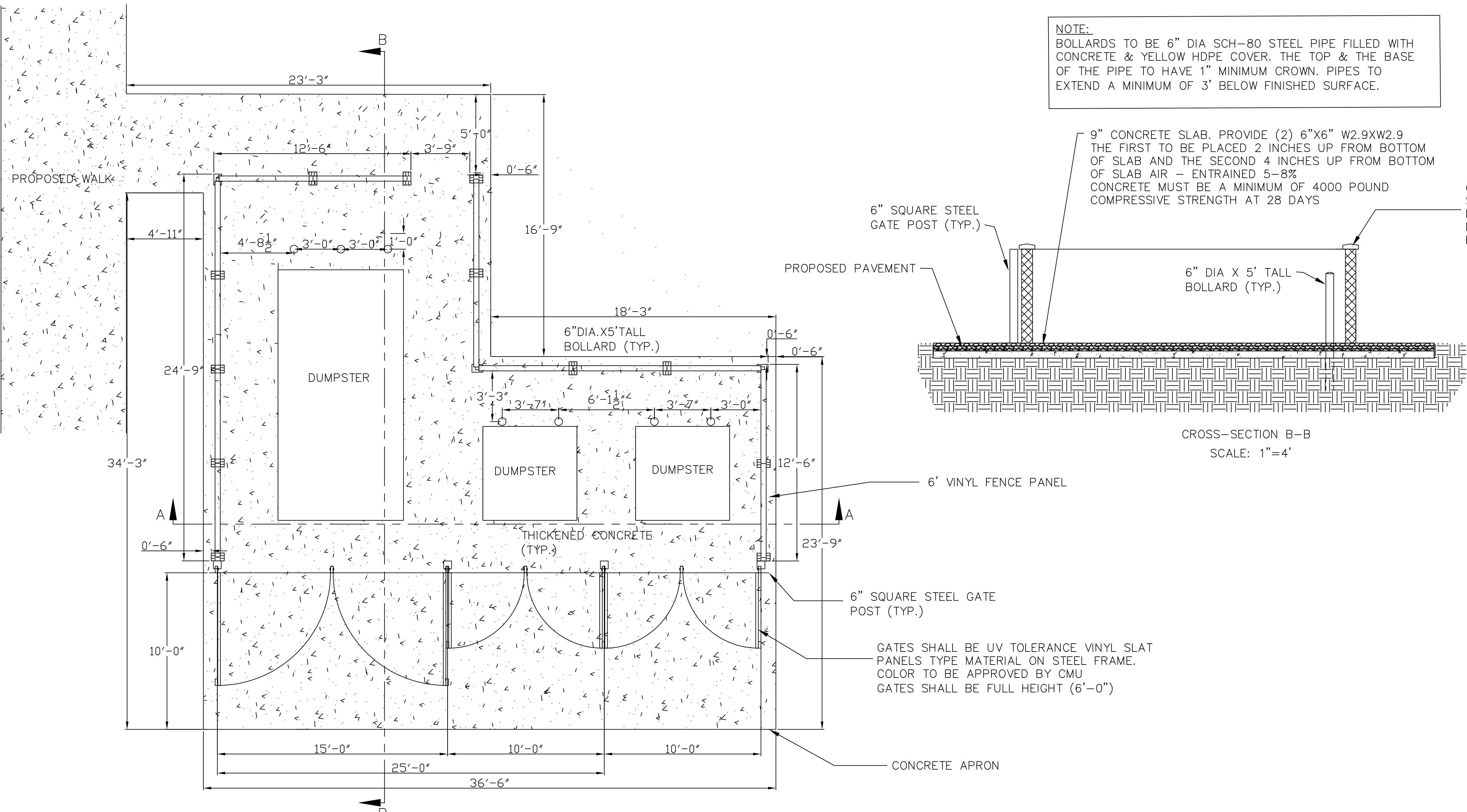
APPROVED BY: _____

SHEET NO. _____

A/E PROJECT NO. _____

CMU PROJECT NO. _____

PRODUCED BY AN AUTODESK STUDENT VERSION



CENTRAL MICHIGAN UNIVERSITY
 CMU DUMPSTER ENCLOSURE DETAIL OPTION B
 ARCHITECTURAL

DRAWING SET INFO

50% SCHEMATIC DESIGN REVIEW	<input type="checkbox"/>
ISSUE DATE:	
95% SCHEMATIC DESIGN REVIEW	<input type="checkbox"/>
ISSUE DATE:	
50% DESIGN DEVELOPMENT REVIEW	<input type="checkbox"/>
ISSUE DATE:	
95% DESIGN DEVELOPMENT REVIEW	<input type="checkbox"/>
ISSUE DATE:	
50% CONSTRUCTION DOC. REVIEW	<input type="checkbox"/>
ISSUE DATE:	
95% CONSTRUCTION DOC. REVIEW	<input type="checkbox"/>
ISSUE DATE:	
BID AND CONSTRUCTION SET	<input type="checkbox"/>
ISSUE DATE:	
FINAL RECORD - AS BUILT SET	<input type="checkbox"/>
ISSUE DATE:	
FOR REFERENCE ONLY	<input type="checkbox"/>
ISSUE DATE:	
STATE PLAN REVIEW	<input type="checkbox"/>
ISSUE DATE:	

ADDENDUM/BULLETIN REVISIONS

Δ	DATE	DESCRIPTION
1		UPDATED 1/25/21
2		PUBLISHED 7/18/14
3		CLARIFIED GATE HEIGHT 9/10/15
4		
5		
6		
7		
8		
9		
10		
11		
12		
13		

SCALE

DRAWN BY: _____
 CHECKED BY: _____
 APPROVED BY: _____

SHEET NO. _____

A/E PROJECT NO. _____

CMU PROJECT NO. _____

PRODUCED BY AN AUTODESK STUDENT VERSION

PRODUCED BY AN AUTODESK STUDENT VERSION