

DRAWING SET INFO

90% SCHEMATIC DESIGN REVIEW	<input type="checkbox"/>
90% SCHEMATIC DESIGN REVIEW	<input type="checkbox"/>
90% DESIGN DEVELOPMENT REVIEW	<input type="checkbox"/>
90% DESIGN DEVELOPMENT REVIEW	<input type="checkbox"/>
90% CONSTRUCTION DOC. REVIEW	<input type="checkbox"/>
90% CONSTRUCTION DOC. REVIEW	<input type="checkbox"/>
BID AND CONSTRUCTION SET	<input type="checkbox"/>
FINAL RECORD - AS BUILT SET	<input type="checkbox"/>
FOR REFERENCE ONLY	<input checked="" type="checkbox"/>

REVISIONS

Δ	DATE	DESCRIPTION
1	2.22.13	SLOP SINK CURB HEIGHT
2		
3		
4		
5		
6		
7		
8		
9		
10		
11		
12		
13		

DWG CREATED 1.28.2011
SCALE 1/4" = 1'-0"
DRAWN BY: JPH
CHECKED BY: JPH
APPROVED BY: DM

SHEET NO.
A-1
CMU PROJECT NO.

CMU STD. REQUIREMENTS

Description/Function(s)
Room to store custodial equipment and supplies

Justification
To support the cleaning of the facility

Size 90 SF typical, 120 SF for Riding Scrubber

Program Relationships/Adjacencies
Strategically located on various floors and in various wings of the facility to house custodial equipment and supplies.

Project Utilization
Daily, evenings weekends

Room Finishes
Floor: Epoxy **Base:** 6" Epoxy
Wall: Block **Ceiling:** None **Ceiling Height:** 10' min
Door: 36" Wide for floor cleaning equipment; 3'-6" Wide if using Riding Scrubber

Special Consideration

HVAC	N
Lighting	4' Industrial Fluorescent E/W(2) T-8 or T-5 Lamps with Occupancy Sensor
Vibration	N
Life Safety	Per code
Acoustical	Y

Utilities and Services

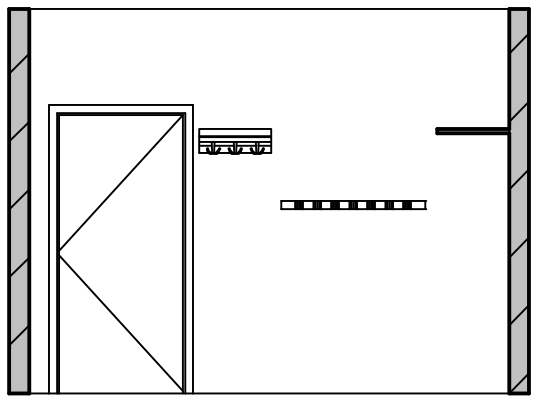
Power	GFI on separate circuit
Emergency Power	N
Plumbed Utilities	Floor sink with 3/4" hot and cold water sources with 1/2" hot water return; Back flow preventer and submittal required

Signal/Communications

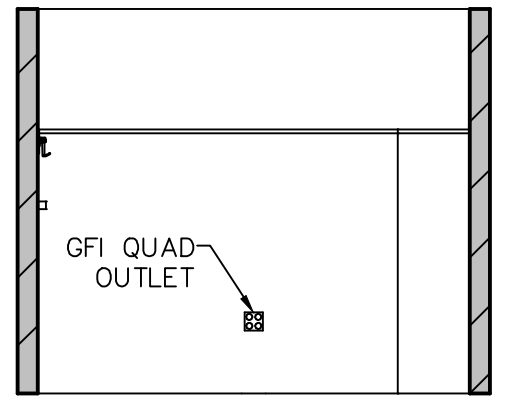
Data	N
Mediation	N
Television	N
Telephone	N
Clock	N
Intercom	N
Paging/PA/Music	N

Contractor Provided, Installed Equipment and Furnishing
Wall rack for hanging brooms, mops, etc.

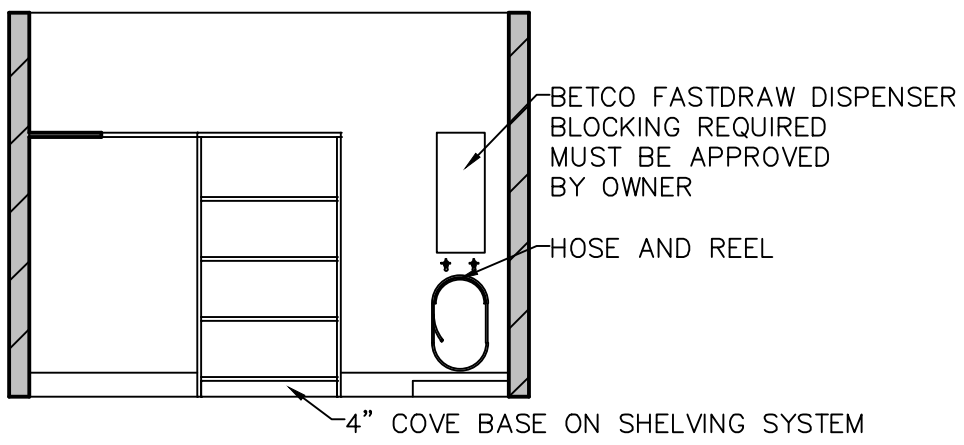
Owner Provided Furniture and Equipment



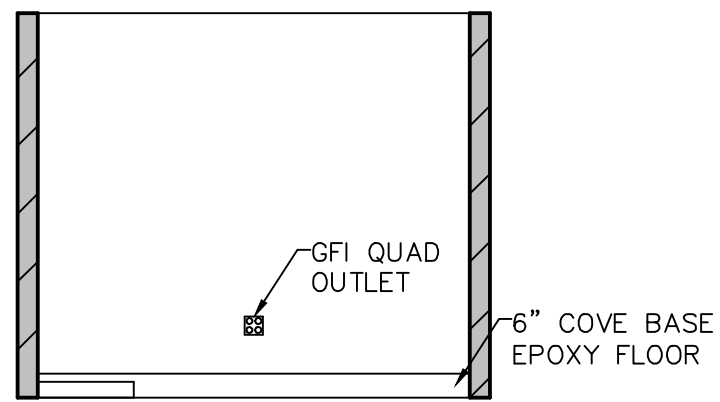
2 TYPICAL WALL ELEVATION
SCALE: 1/4" = 1'-0"



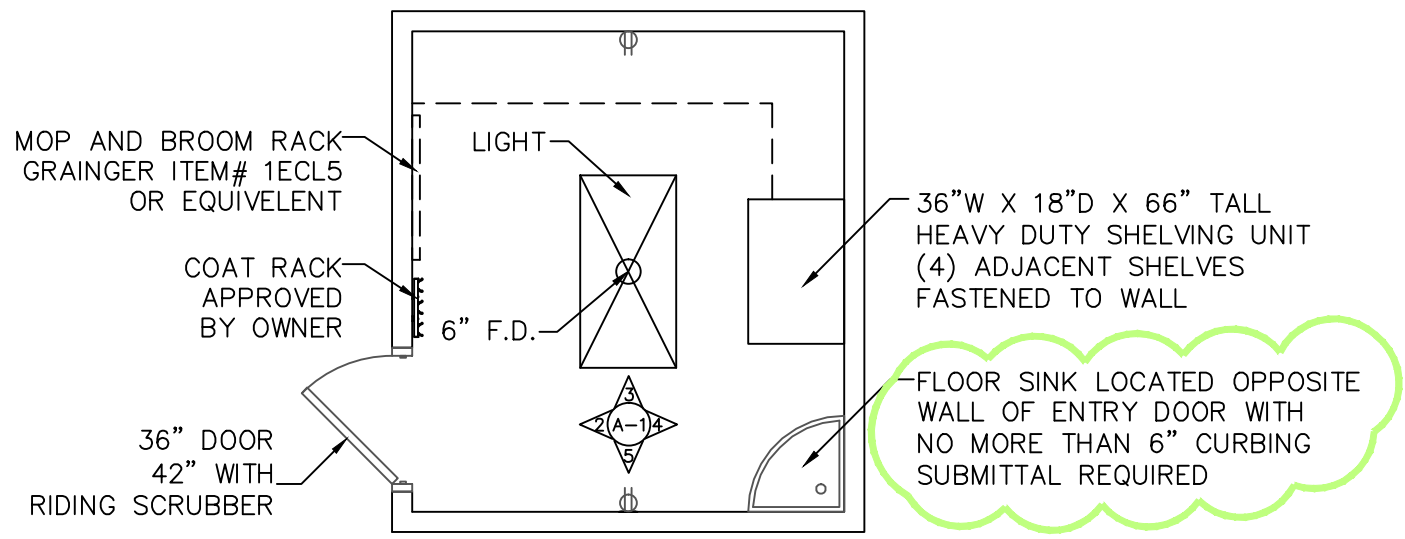
3 TYPICAL WALL ELEVATION
SCALE: 1/4" = 1'-0"



4 TYPICAL WALL ELEVATION
SCALE: 1/4" = 1'-0"



5 TYPICAL WALL ELEVATION
SCALE: 1/4" = 1'-0"



1 TYPICAL CUSTODIAL CLOSET
SCALE: 1/4" = 1'-0"