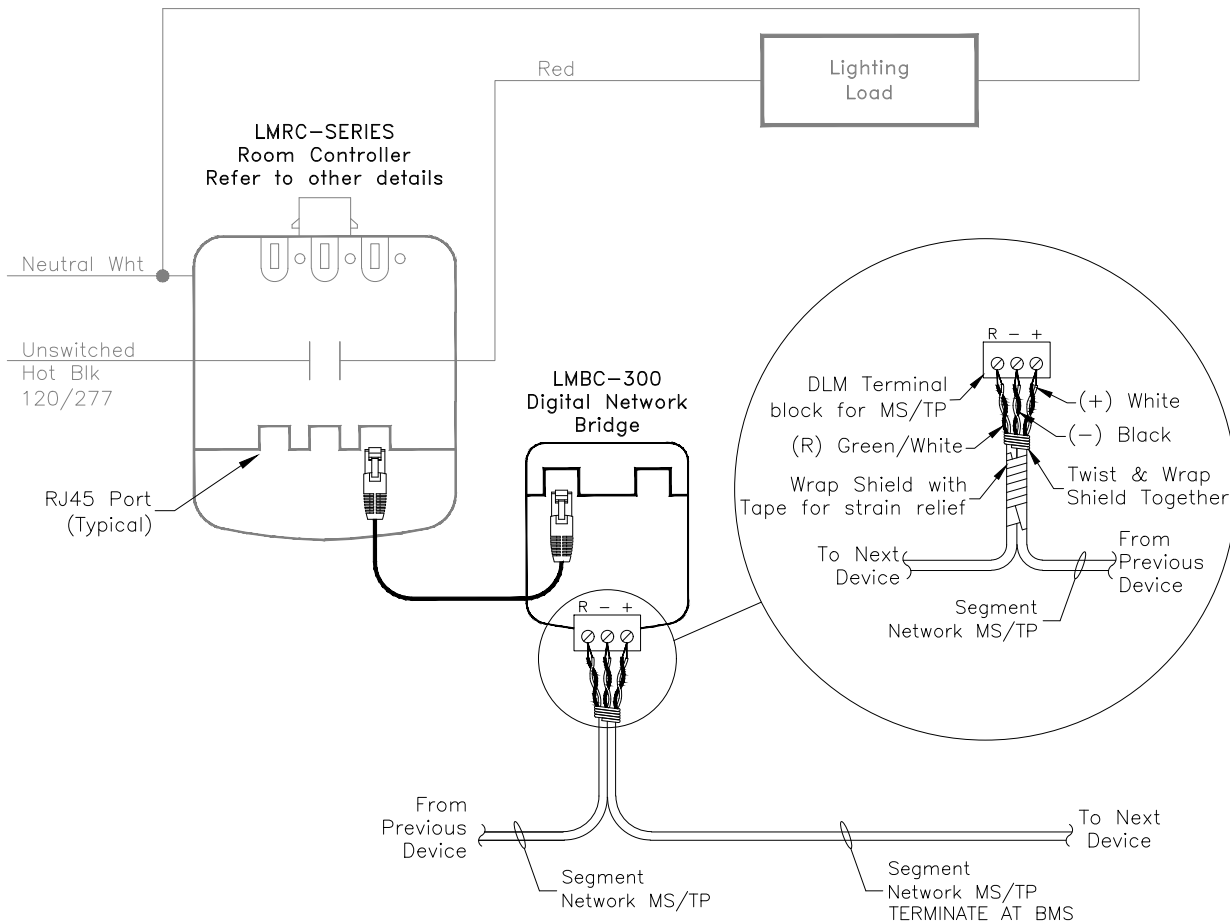


DEVICES ARE PRESET FOR PLUG n' GO™ OPERATION, ADJUSTMENT IS OPTIONAL.

Sequence of Operation: The LMIO-101 Digital Input/Output Interface allows seamless integration with third party devices to provide additional functionality in a Digital Lighting Management (DLM) system. The isolated relay responds to every occupancy sensor on the DLM local network. Default operation for third party inputs is based on the configuration of the device's DIP switches. For full operational details, adjustments and more features of the product, see the DLM System Installation Guide at [www.wattstopper.com](http://www.wattstopper.com)

## DLM WATTSTOPPER LMRC-SERIES + LMIO-101

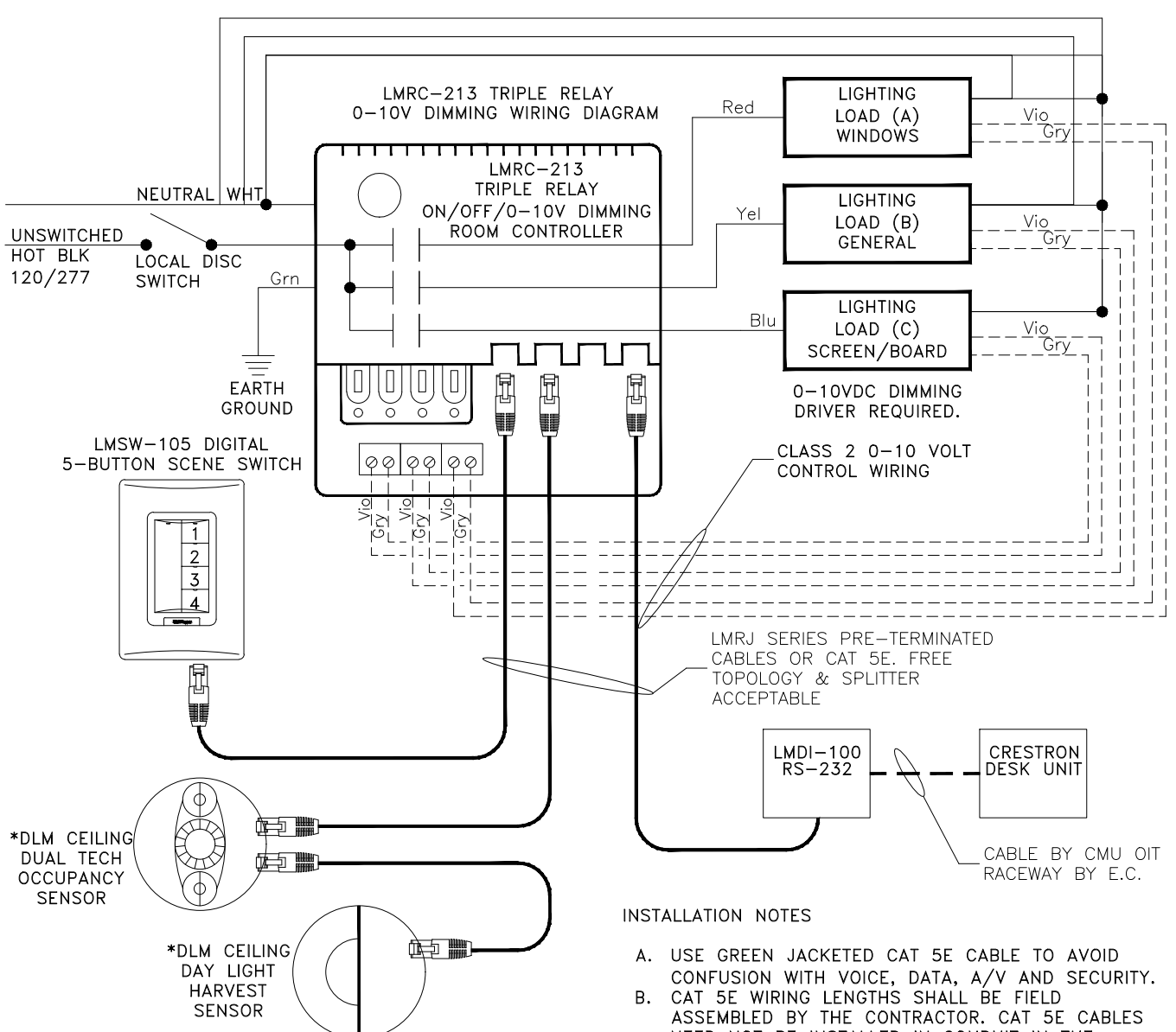
~~XX~~ **INPUT/OUTPUT MODULE W./D DETAIL**  
ES-600 NO SCALE



**DEVICES ARE PRESET FOR PLUG n' GO™ OPERATION, ADJUSTMENT IS OPTIONAL.** Sequence of Operation: In this configuration the LMRC-series and the LMBC-300 Network Bridge allows individual DLM room networks to be aggregated into a networked system that can be remotely managed from BUILDING MANAGEMENT SYSTEM NOT A DLM Segment Manager. Maximum of 4 room controllers, controlling up to 8 loads and up to 24 communicating devices per DLM local network. LOCAL NETWORK TO BE APPROVED BY CMU PROJECT MANAGER.

## DLM WATTSTOPPER LMRC-SERIES + LMBC-300

~~XX~~ **NETWORKED W./D DETAIL**  
 ES-600 NO SCALE

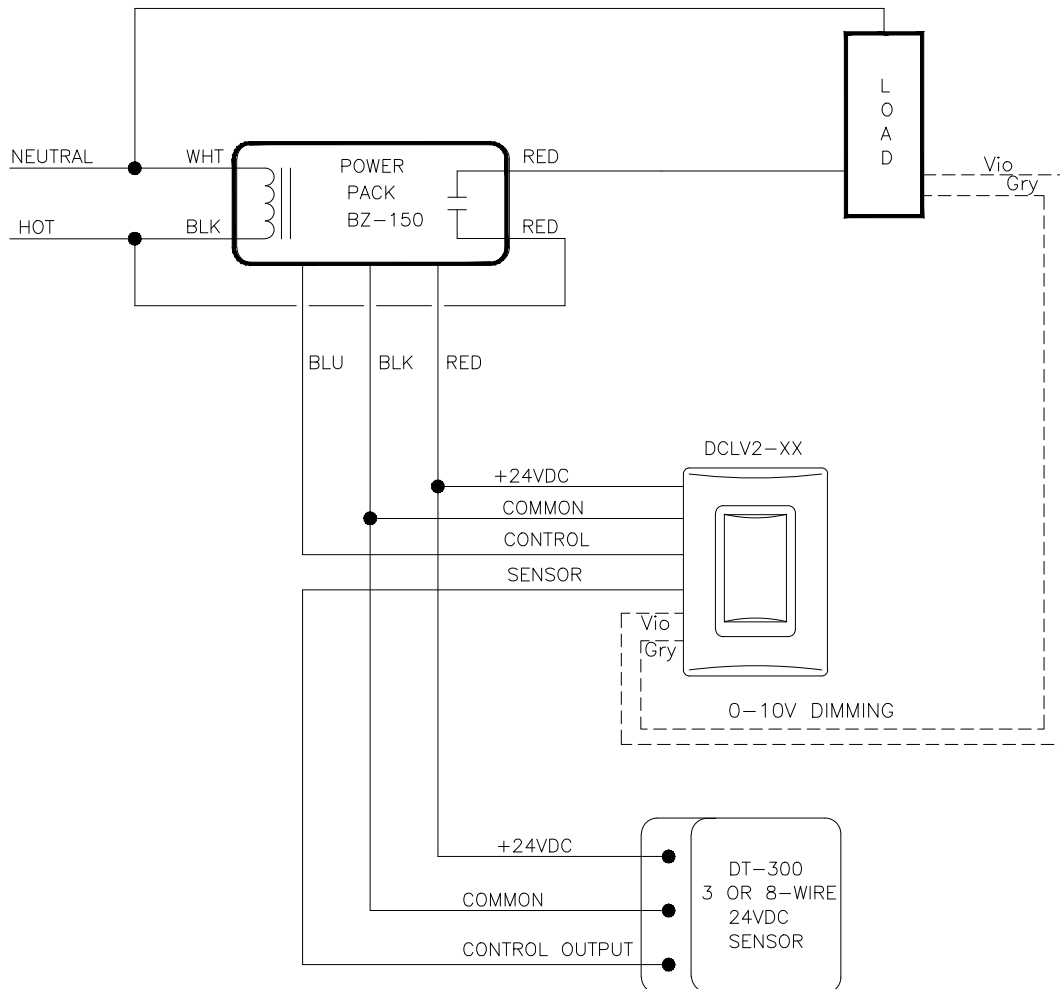


**PROGRAMMING NOTES**

- A. ALL PROGRAMMING DUPLICATED AT DESK AND DOORS EXCEPT AUTO FUNCTIONS.
- B. AUTO ON - ALL ZONES TO 50% & DAYLIGHT SENSING ACTIVATED.
- C. AUTO OFF - ALL ZONES OFF VIA OCCUPANCY SENSOR AFTER 15 MIN. OF NO MOTION
- D. LABEL 1 - 100% -MANUAL ON - 100% LIGHTS ON WITH DAYLIGHT CONTROL
- E. LABEL 2 - INSTRUC - SCREEN ZONE 100%, GENERAL AND WINDOW ZONES AT 50%. MANUAL RAISE/LOWER GENERAL AND WINDOW ZONES.
- F. LABEL 3 - A/V - SCREEN ZONE OFF. GENERAL AND WINDOW ZONE AT 50%. DAYLIGHT DEACTIVATED.
- G. LABEL 4 - SPARE
- H. PADDLE - USERS ACTIVATE A SCENE BY TAPPING ONE OF THE SCENE BUTTONS. THEY MAY RAISE OR LOWER LEVELS, AND TURN LIGHTS ON/OFF. IN ACTIVE DIM MODE USERS CAN ADJUST THE LEVEL OF A DIMMABLE OR SCENE LOAD BY SELECTING THE LOAD/SCENE BUTTON AND THEN PRESSING AND HOLDING THE PADDLE.

**INSTALLATION NOTES**

- A. USE GREEN JACKETED CAT 5E CABLE TO AVOID CONFUSION WITH VOICE, DATA, A/V AND SECURITY.
- B. CAT 5E WIRING LENGTHS SHALL BE FIELD ASSEMBLED BY THE CONTRACTOR. CAT 5E CABLES NEED NOT BE INSTALLED IN CONDUIT IN THE ACCESSIBLE CEILING SPACE. CABLE MUST BE IN CONDUIT DOWN WALLS AND CONCEALED AREAS.
- C. ALL COMPONENTS ARE WATTSTOPPER DLM SERIES EQUAL BY LUTRON.
- D. INSTALL THE ROOM CONTROLLER ON A 4"x4" BOX AND A SEPARATE 4"x4" BOX FOR THE POWER LIGHTING CIRCUIT(S).
- E. LOCATE ALL ROOM CONTROLLER(S), DATA INTERFACE MODULES AND OUTPUT RELAY MODULE ABOVE THE DOOR IN THE SPECIFIED ROOM.
- F. ROOM CONTROLLERS CAN BE LINKED TOGETHER TO ESTABLISH MULTIPLE ZONES AS REQUIRED.
- G. LOCATE OCCUPANCY SENSOR TO GIVE THE BEST COVERAGE, CONTRACTOR SHALL SUPPLY ENOUGH CABLE TO MOVE THE SENSOR AROUND.
- H. INSTALL DAYLIGHT SENSOR PER MANUFACTURERS RECOMMENDATION FOR EXACT LOCATION.
- I. INSTALL 5 BUTTON DIGITAL SWITCH IN EACH ROOM AT EACH DOOR.
- J. PROVIDE EXTRA CABLE AT SENSORS TO MOVE ABOUT THE CEILING TO ACCOMMODATE PROPER LOCATION DURING COMMISSIONING.
- K. LOCAL DISCONNECT SWITCH LOCATED AT THE CONTROLLER.
- L. SEGMENT MANAGER AND A NETWORKED SYSTEM SHALL BE IMPLEMENTED AT THE DIRECTION OF THE CMU PROJECT MANAGER.
- M. MARK ALL DEVICES WITH THE INSTALLED DATE.
- N. WALL SENSORS ARE NOT PREFERRED, CMU PROJECT MANAGER TO APPROVE ALL LOCATIONS.

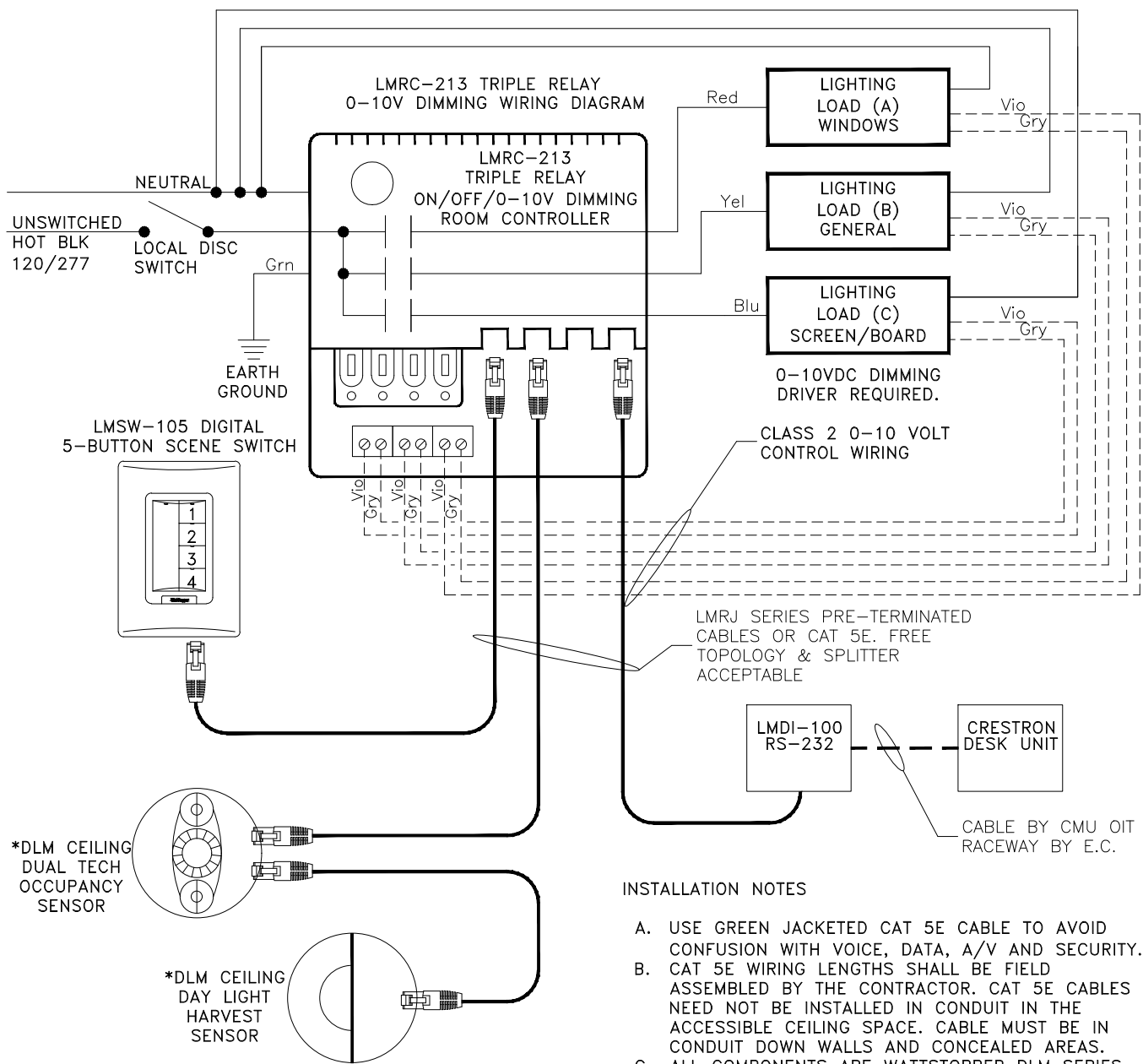


#### PROGRAMING NOTES

- A. NO PROGRAMMING TO A CRESTRON UNIT.
- B. DAY LIGHT CONTROL (IF REQUIRED) TO MAINTAIN 70% OF LIGHT LEVEL OR PROGRAMMED AMOUNT.
- C. AUTO ON – ALL TO 50% & DAYLIGHT CONTROL ACTIVATED.
- D. AUTO OFF – ALL OFF VIA OCCUPANCY SENSOR AFTER 15 MIN. OF NO MOTION
- E. PRESS SWITCH TWICE 100% ON – 100% LIGHTS ON WITH DAYLIGHT CONTROL
- F. PRESS SWITCH ONCE – LAST NON-ZERO LEVEL
- G. PRESS & HOLD – TO RAISE LIGHT LEVEL
- H. PRESS & HOLD – TO LOWER LIGHT LEVEL
- I. PRESS ONCE – FADE LIGHTS OFF
- J. DAY LIGHT CONTROL THROUGH SENSOR (IF REQUIRED.)

#### INSTALLATION NOTES

- A. ALL COMPONENTS ARE WATTSTOPPER SERIES. UNLESS NOTED OTHERWISE
- B. INSTALL THE ROOM POWER PACK(S) ON A 4"X4" BOX(S).
- C. LOCATE ALL CONNECTIONS AND OUTPUT RELAY MODULE ABOVE THE DOOR IN THE SPECIFIED ROOM.
- D. LOCATE OCCUPANCY SENSOR TO GIVE THE BEST COVERAGE, CONTRACTOR SHALL SUPPLY ENOUGH CABLE TO MOVE THE SENSOR AROUND.
- E. INSTALL DAYLIGHT SENSOR PER MANUFACTURERS RECOMMENDATION FOR EXACT LOCATION.
- F. INSTALL DCLV2 SWITCH IN EACH ROOM
- N. WALL SENSORS ARE NOT PREFERRED, CMU PROJECT MANAGER TO APPROVE ALL LOCATIONS.

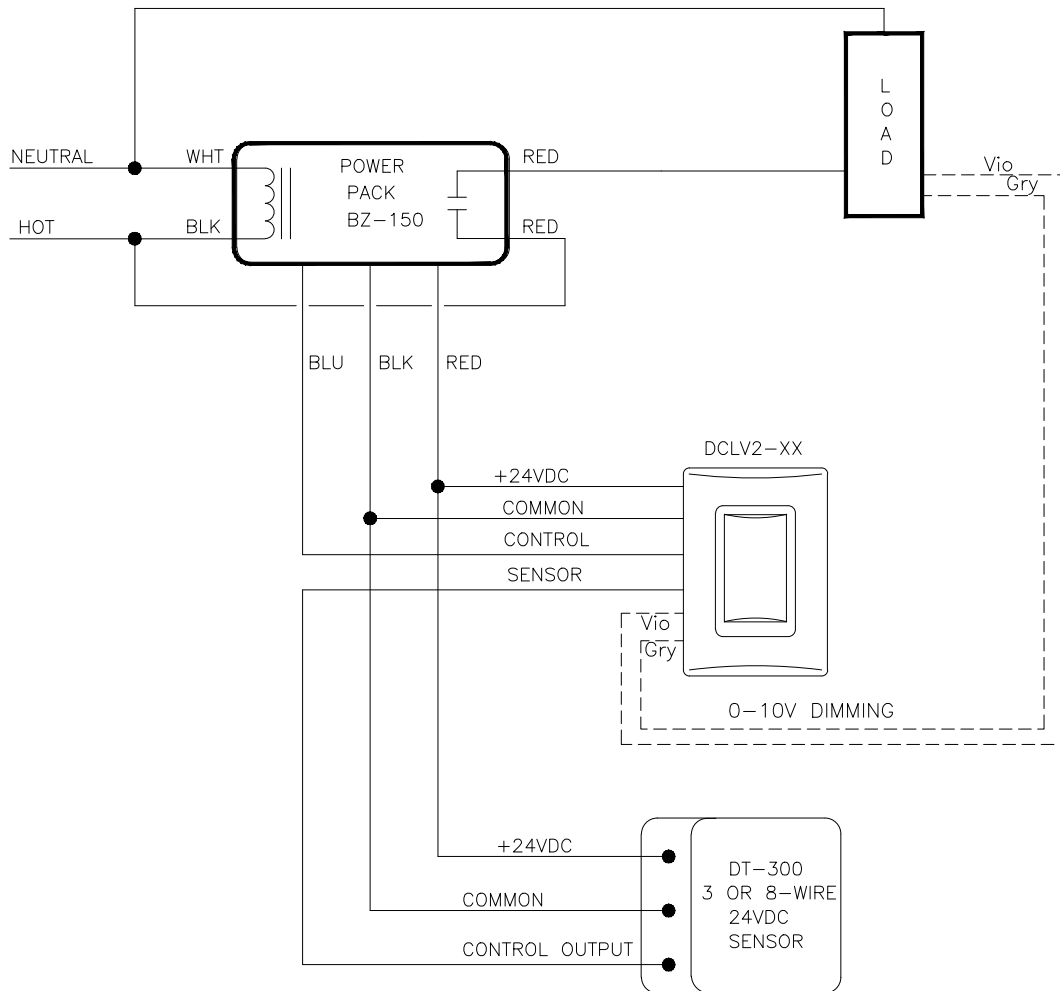


**PROGRAMING NOTES**

- A. VERIFY WITH CMU PROJECT MANAGER AND OIT FOR CRESTRON REQUIREMENTS. ALL PROGRAMMING DUPLICATED AT DESK AND DOORS EXCEPT AUTO FUNCTIONS.
- B. DAY LIGHT CONTROL TO MAINTAIN 70% OF LIGHT LEVEL OR PROGRAMMED AMOUNT.
- C. AUTO ON - ALL TO 50% & DAYLIGHT CONTROL ACTIVATED.
- D. AUTO OFF - ALL OFF VIA OCCUPANCY SENSOR AFTER 15 MIN. OF NO MOTION
- E. LABEL 1 - 100% -MANUAL ON - 100% LIGHTS ON WITH DAYLIGHT CONTROL
- F. LABEL 2 - A/V - SCREEN ZONE OFF. GENERAL AND WINDOW ZONE AT 50%. DAYLIGHT CONTROL DEACTIVATED. (IF REQUIRED)
- G. LABEL 3 - SPARE
- H. LABEL 4 - SPARE
- I. PADDLE - USERS ACTIVATE A SCENE BY TAPPING ONE OF THE SCENE BUTTONS. THEY MAY RAISE OR LOWER LEVELS, AND TURN LIGHTS ON/OFF. IN ACTIVE DIM MODE USERS CAN ADJUST THE LEVEL OF A DIMMABLE OR SCENE LOAD BY SELECTING THE LOAD/SCENE BUTTON AND THEN PRESSING AND HOLDING THE PADDLE.

**INSTALLATION NOTES**

- A. USE GREEN JACKETED CAT 5E CABLE TO AVOID CONFUSION WITH VOICE, DATA, A/V AND SECURITY.
- B. CAT 5E WIRING LENGTHS SHALL BE FIELD ASSEMBLED BY THE CONTRACTOR. CAT 5E CABLES NEED NOT BE INSTALLED IN CONDUIT IN THE ACCESSIBLE CEILING SPACE. CABLE MUST BE IN CONDUIT DOWN WALLS AND CONCEALED AREAS.
- C. ALL COMPONENTS ARE WATTSTOPPER DLM SERIES EQUAL BY LUTRON.
- D. INSTALL THE ROOM CONTROLLER ON A 4"X4" BOX AND A SEPARATE 4"X4" BOX FOR THE POWER LIGHTING CIRCUIT(S).
- E. LOCATE ALL ROOM CONTROLLER(S), DATA INTERFACE MODULES AND OUTPUT RELAY MODULE ABOVE THE DOOR IN THE SPECIFIED ROOM.
- F. ROOM CONTROLLERS CAN BE LINKED TOGETHER TO ESTABLISH MULTIPLE ZONES AS REQUIRED.
- G. LOCATE OCCUPANCY SENSOR TO GIVE THE BEST COVERAGE, CONTRACTOR SHALL SUPPLY ENOUGH CABLE TO MOVE THE SENSOR AROUND.
- H. INSTALL DAYLIGHT SENSOR PER MANUFACTURERS RECOMMENDATION FOR EXACT LOCATION.
- I. INSTALL 5 BUTTON DIGITAL SWITCH IN EACH ROOM AT EACH DOOR.
- J. PROVIDE EXTRA CABLE AT SENSORS TO MOVE ABOUT THE CEILING TO ACCOMMODATE PROPER LOCATION DURING COMMISSIONING.
- K. LOCAL DISCONNECT SWITCH LOCATED AT THE CONTROLLER.
- L. SEGMENT MANAGER AND A NETWORKED SYSTEM SHALL BE IMPLEMENTED AT THE DIRECTION OF THE CMU PROJECT MANAGER.
- M. MARK ALL DEVICES WITH THE INSTALLED DATE.
- N. WALL SENSORS ARE NOT PREFERRED, CMU PROJECT MANAGER TO APPROVE ALL LOCATIONS.

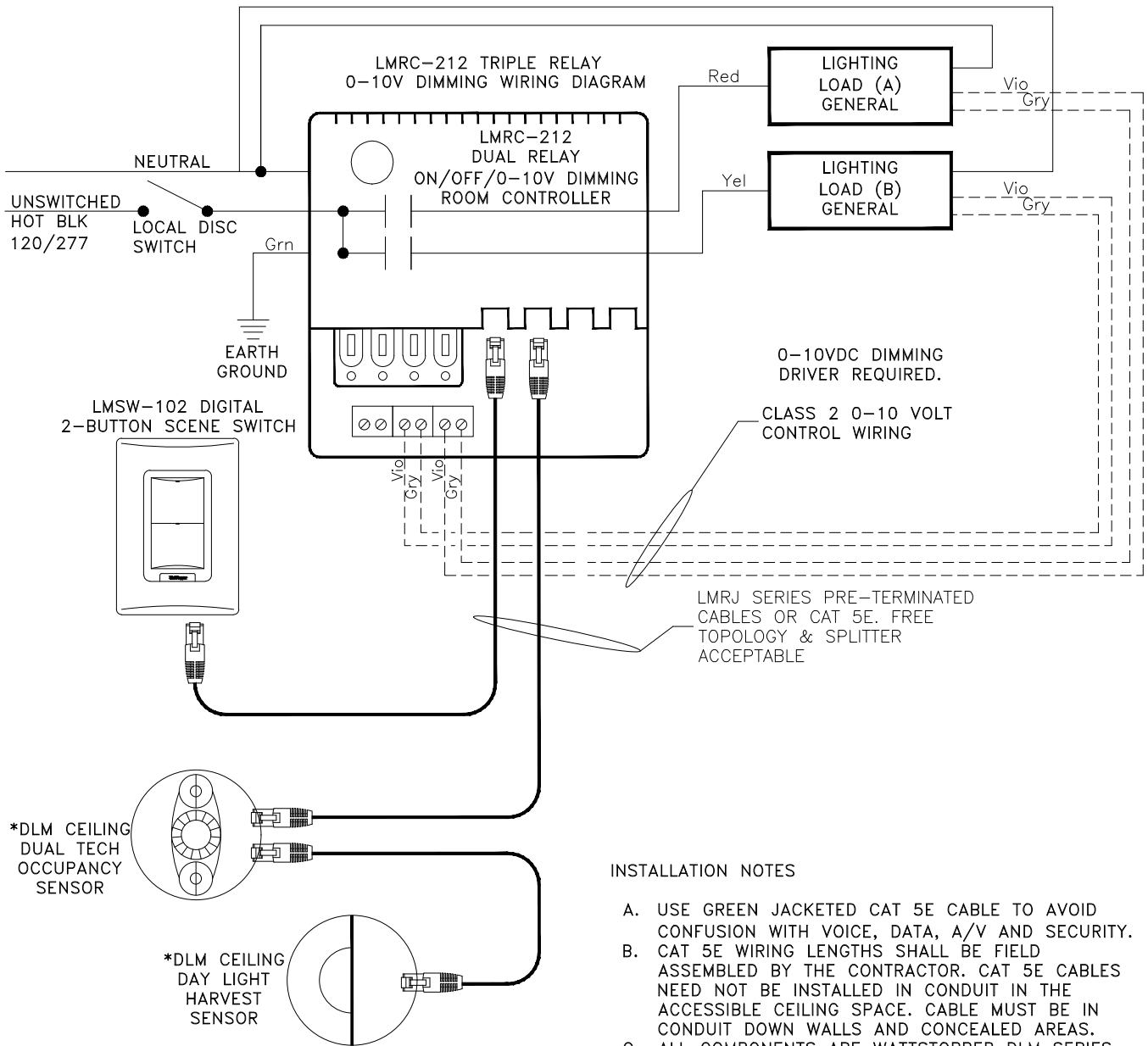


**PROGRAMING NOTES**

- A. NO PROGRAMMING TO A CRESTRON UNIT.
- B. DAY LIGHT CONTROL (IF REQUIRED) TO MAINTAIN 70% OF LIGHT LEVEL OR PROGRAMMED AMOUNT.
- C. AUTO ON – ALL TO 50% & DAYLIGHT CONTROL ACTIVATED.
- D. AUTO OFF – ALL OFF VIA OCCUPANCY SENSOR AFTER 15 MIN. OF NO MOTION
- E. PRESS SWITCH TWICE 100% ON – 100% LIGHTS ON WITH DAYLIGHT CONTROL
- F. PRESS SWITCH ONCE – LAST NON-ZERO LEVEL
- G. PRESS & HOLD – TO RAISE LIGHT LEVEL
- H. PRESS & HOLD – TO LOWER LIGHT LEVEL
- I. PRESS ONCE – FADE LIGHTS OFF
- J. DAY LIGHT CONTROL THROUGH SENSOR (IF REQUIRED.)

**INSTALLATION NOTES**

- A. ALL COMPONENTS ARE WATTSTOPPER SERIES. UNLESS NOTED OTHERWISE
- B. INSTALL THE ROOM POWER PACK(S) ON A 4"X4" BOX(S).
- C. LOCATE ALL CONNECTIONS AND OUTPUT RELAY MODULE ABOVE THE DOOR IN THE SPECIFIED ROOM.
- D. LOCATE OCCUPANCY SENSOR TO GIVE THE BEST COVERAGE, CONTRACTOR SHALL SUPPLY ENOUGH CABLE TO MOVE THE SENSOR AROUND.
- E. INSTALL DAYLIGHT SENSOR PER MANUFACTURERS RECOMMENDATION FOR EXACT LOCATION.
- F. INSTALL DCLV2 SWITCH IN EACH ROOM
- N. WALL SENSORS ARE NOT PREFERRED, CMU PROJECT MANAGER TO APPROVE ALL LOCATIONS.



0-10VDC DIMMING DRIVER REQUIRED.

CLASS 2 0-10 VOLT CONTROL WIRING

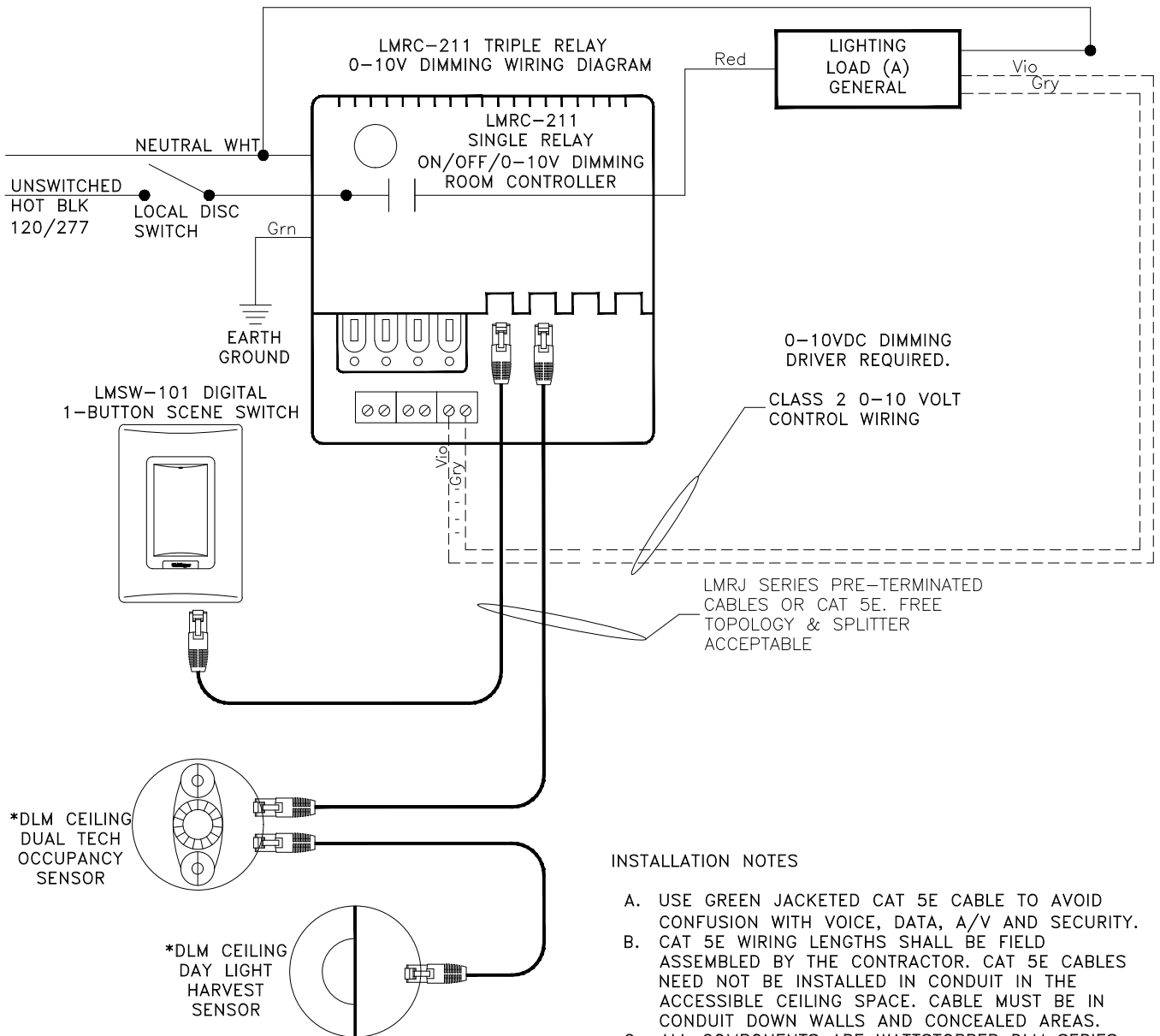
LMRJ SERIES PRE-TERMINATED CABLES OR CAT 5E. FREE TOPOLOGY & SPLITTER ACCEPTABLE

**INSTALLATION NOTES**

- A. USE GREEN JACKETED CAT 5E CABLE TO AVOID CONFUSION WITH VOICE, DATA, A/V AND SECURITY.
- B. CAT 5E WIRING LENGTHS SHALL BE FIELD ASSEMBLED BY THE CONTRACTOR. CAT 5E CABLES NEED NOT BE INSTALLED IN CONDUIT IN THE ACCESSIBLE CEILING SPACE. CABLE MUST BE IN CONDUIT DOWN WALLS AND CONCEALED AREAS.
- C. ALL COMPONENTS ARE WATTSTOPPER DLM SERIES EQUAL BY LUTRON.
- D. INSTALL THE ROOM CONTROLLER ON A 4"x4" BOX AND A SEPARATE 4"x4" BOX FOR THE POWER LIGHTING CIRCUIT(S).
- E. LOCATE ALL ROOM CONTROLLER(S), DATA INTERFACE MODULES AND OUTPUT RELAY MODULE ABOVE THE DOOR IN THE SPECIFIED ROOM.
- F. ROOM CONTROLLERS CAN BE LINKED TOGETHER TO ESTABLISH MULTIPLE ZONES AS REQUIRED.
- G. LOCATE OCCUPANCY SENSOR TO GIVE THE BEST COVERAGE, CONTRACTOR SHALL SUPPLY ENOUGH CABLE TO MOVE THE SENSOR AROUND.
- H. INSTALL DAYLIGHT SENSOR PER MANUFACTURERS RECOMMENDATION FOR EXACT LOCATION.
- I. INSTALL 2 BUTTON DIGITAL SWITCH IN J.C.
- J. PROVIDE EXTRA CABLE AT SENSORS TO MOVE ABOUT THE CEILING TO ACCOMMODATE PROPER LOCATION DURING COMMISSIONING.
- K. LOCAL DISCONNECT SWITCH LOCATED AT THE CONTROLLER.
- L. SEGMENT MANAGER AND A NETWORKED SYSTEM SHALL BE IMPLEMENTED AT THE DIRECTION OF THE CMU PROJECT MANAGER.
- M. MARK ALL DEVICES WITH THE INSTALLED DATE.
- N. WALL SENSORS ARE NOT PREFERRED, CMU PROJECT MANAGER TO APPROVE ALL LOCATIONS.

**PROGRAMING NOTES**

- A. NO PROGRAMMING TO A CRESTRON UNIT.
- B. DAY LIGHT CONTROL TO MAINTAIN 70% OF LIGHT LEVEL OR PROGRAMMED AMOUNT.
- C. AUTO ON - ALL TO 100% & DAYLIGHT CONTROL ACTIVATED.
- D. AUTO 50% - ALL DOWN TO 50% VIA OCCUPANCY SENSOR AFTER 15 MIN. OF NO MOTION & DAYLIGHT CONTROL ACTIVATED
- E. LABEL 1 - 100% -MANUAL ON - 100% LIGHTS ON LOCAL SWITCH IN J.C.
- F. LABEL 2 - ALL OFF - MOUNTED IN J.C.



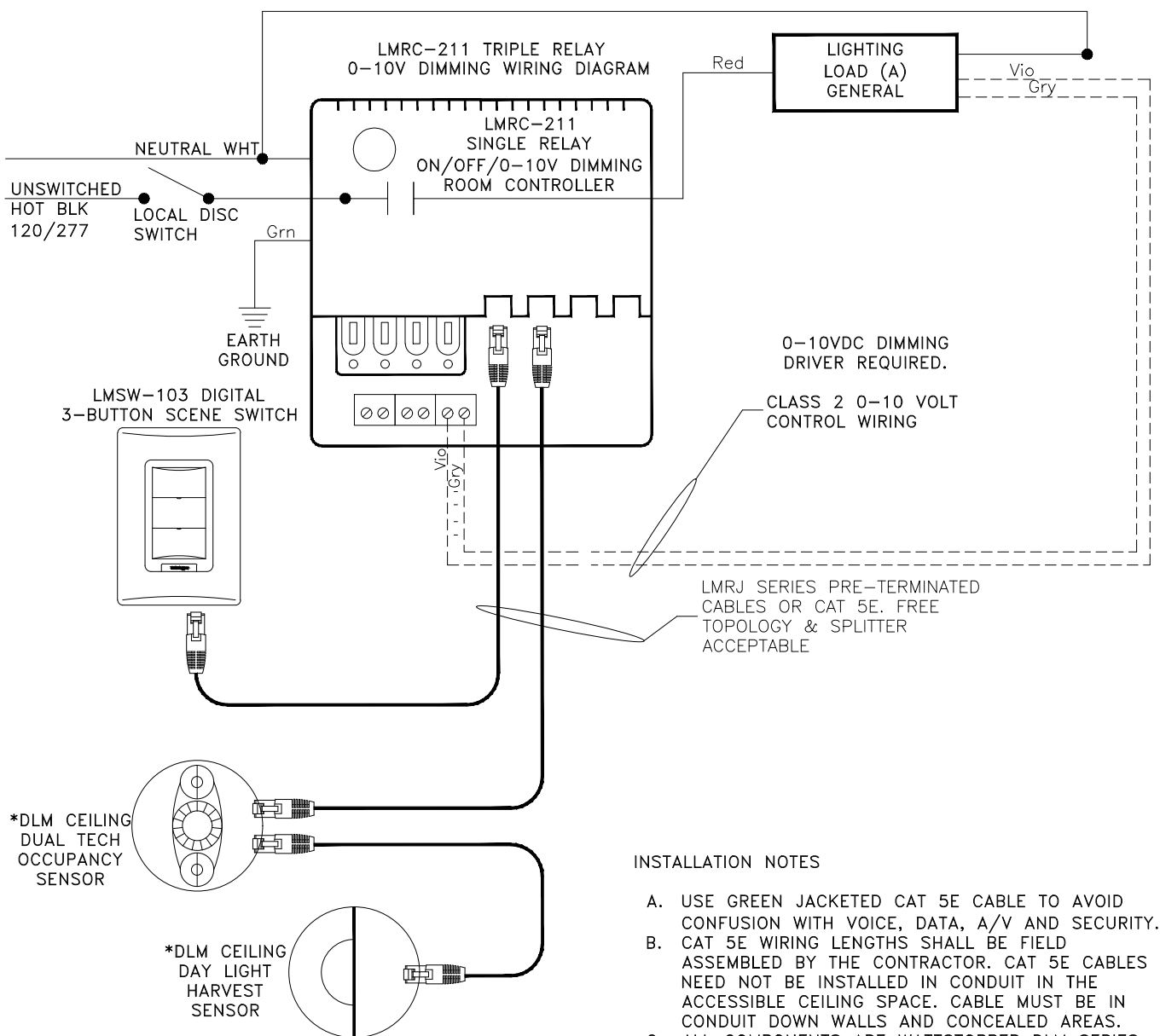
**INSTALLATION NOTES**

- A. USE GREEN JACKETED CAT 5E CABLE TO AVOID CONFUSION WITH VOICE, DATA, A/V AND SECURITY.
- B. CAT 5E WIRING LENGTHS SHALL BE FIELD ASSEMBLED BY THE CONTRACTOR. CAT 5E CABLES NEED NOT BE INSTALLED IN CONDUIT IN THE ACCESSIBLE CEILING SPACE. CABLE MUST BE IN CONDUIT DOWN WALLS AND CONCEALED AREAS.
- C. ALL COMPONENTS ARE WATTSTOPPER DLM SERIES EQUAL BY LUTRON.
- D. INSTALL THE ROOM CONTROLLER ON A 4"x4" BOX AND A SEPARATE 4"x4" BOX FOR THE POWER LIGHTING CIRCUIT(S).
- E. LOCATE ALL ROOM CONTROLLER(S), DATA INTERFACE MODULES AND OUTPUT RELAY MODULE ABOVE THE DOOR IN THE SPECIFIED ROOM.
- F. ROOM CONTROLLERS CAN BE LINKED TOGETHER TO ESTABLISH MULTIPLE ZONES AS REQUIRED.
- G. LOCATE OCCUPANCY SENSOR TO GIVE THE BEST COVERAGE, CONTRACTOR SHALL SUPPLY ENOUGH CABLE TO MOVE THE SENSOR AROUND.
- H. INSTALL DAYLIGHT SENSOR PER MANUFACTURERS RECOMMENDATION FOR EXACT LOCATION.
- I. INSTALL 1 BUTTON DIGITAL SWITCH IN EACH ROOM AT EACH DOOR.
- J. PROVIDE EXTRA CABLE AT SENSORS TO MOVE ABOUT THE CEILING TO ACCOMMODATE PROPER LOCATION DURING COMMISSIONING.
- K. LOCAL DISCONNECT SWITCH LOCATED AT THE CONTROLLER.
- L. SEGMENT MANAGER AND A NETWORKED SYSTEM SHALL BE IMPLEMENTED AT THE DIRECTION OF THE CMU PROJECT MANAGER.
- M. MARK ALL DEVICES WITH THE INSTALLED DATE.
- N. WALL SENSORS ARE NOT PREFERRED, CMU PROJECT MANAGER TO APPROVE ALL LOCATIONS.

**PROGRAMING NOTES**

- A. NO PROGRAMMING TO A CRESTRON UNIT.
- B. DAY LIGHT CONTROL TO MAINTAIN 70% OF LIGHT LEVEL OR PROGRAMMED AMOUNT.
- C. AUTO ON - ALL TO 100% & DAYLIGHT CONTROL ACTIVATED.
- D. AUTO 50% - ALL DOWN TO 50% VIA OCCUPANCY SENSOR AFTER 15 MIN. OF NO MOTION & DAYLIGHT CONTROL ACTIVATED
- E. SWITCH LOCATED IN A J.C. REMOTE FROM STAIRWELL. ON/OFF





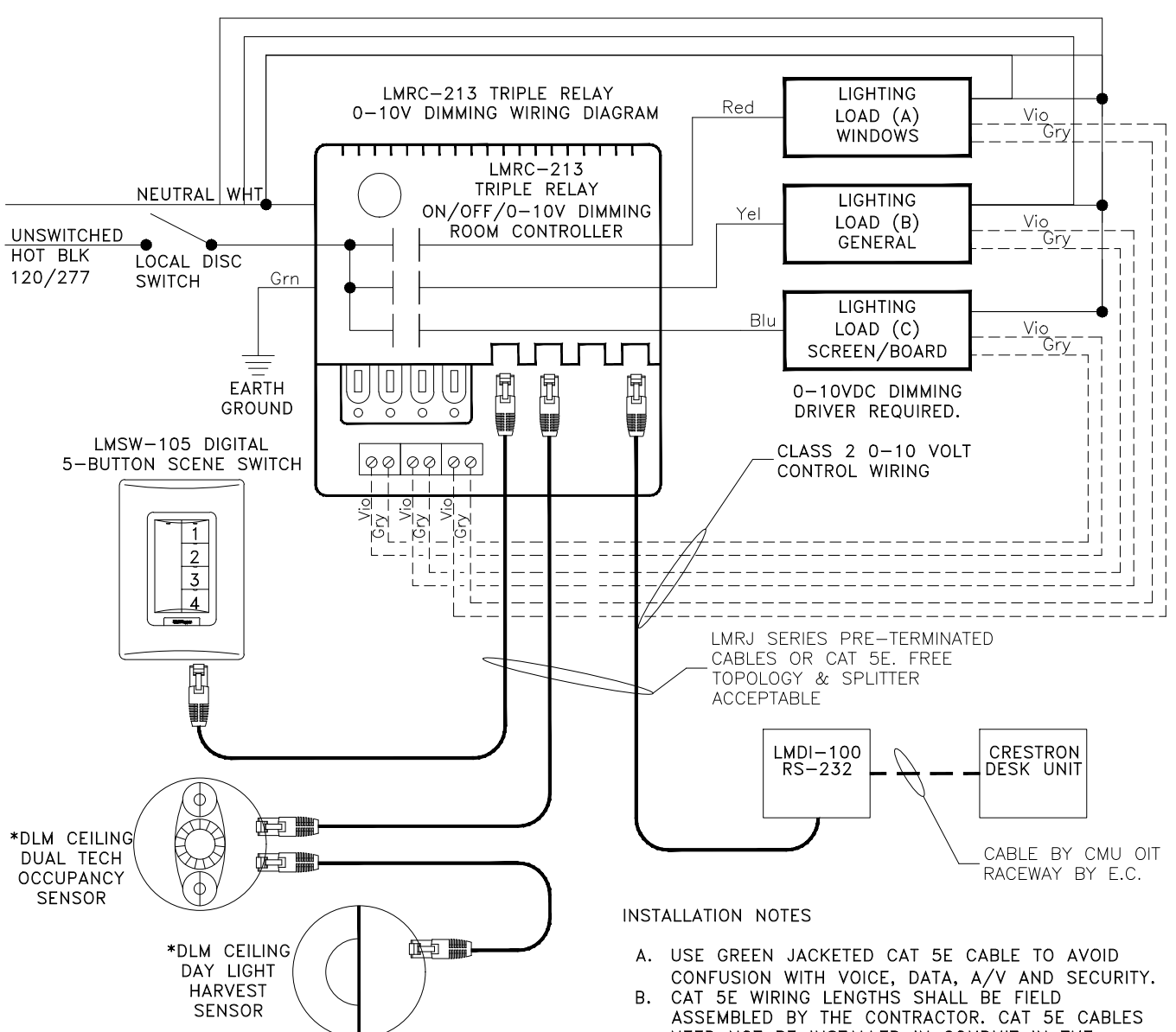
**PROGRAMING NOTES**

- A. NO PROGRAMMING TO A CRESTRON UNIT.
- B. DAY LIGHT CONTROL TO MAINTAIN 70% OF LIGHT LEVEL OR PROGRAMMED AMOUNT.
- C. AUTO ON - ALL TO 50% & DAYLIGHT CONTROL ACTIVATED.
- D. AUTO OFF - ALL OFF VIA OCCUPANCY SENSOR AFTER 15 MIN. OF NO MOTION
- E. LABEL 1 - 100% -MANUAL ON - 100% LIGHTS ON WITH DAYLIGHT CONTROL
- F. LABEL 2 - MANUAL RAISE/LOWER
- G. LABEL 3 - ALL OFF - ALL LIGHTS OFF WITH DAYLIGHT CONTROL DEACTIVATED.

**INSTALLATION NOTES**

- A. USE GREEN JACKETED CAT 5E CABLE TO AVOID CONFUSION WITH VOICE, DATA, A/V AND SECURITY.
- B. CAT 5E WIRING LENGTHS SHALL BE FIELD ASSEMBLED BY THE CONTRACTOR. CAT 5E CABLES NEED NOT BE INSTALLED IN CONDUIT IN THE ACCESSIBLE CEILING SPACE. CABLE MUST BE IN CONDUIT DOWN WALLS AND CONCEALED AREAS.
- C. ALL COMPONENTS ARE WATTSTOPPER DLM SERIES EQUAL BY LUTRON.
- D. INSTALL THE ROOM CONTROLLER ON A 4"x4" BOX AND A SEPARATE 4"x4" BOX FOR THE POWER LIGHTING CIRCUIT(S).
- E. LOCATE ALL ROOM CONTROLLER(S), DATA INTERFACE MODULES AND OUTPUT RELAY MODULE ABOVE THE DOOR IN THE SPECIFIED ROOM.
- F. ROOM CONTROLLERS CAN BE LINKED TOGETHER TO ESTABLISH MULTIPLE ZONES AS REQUIRED.
- G. LOCATE OCCUPANCY SENSOR TO GIVE THE BEST COVERAGE, CONTRACTOR SHALL SUPPLY ENOUGH CABLE TO MOVE THE SENSOR AROUND.
- H. INSTALL DAYLIGHT SENSOR PER MANUFACTURERS RECOMMENDATION FOR EXACT LOCATION.
- I. INSTALL 5 BUTTON DIGITAL SWITCH IN EACH ROOM AT EACH DOOR.
- J. PROVIDE EXTRA CABLE AT SENSORS TO MOVE ABOUT THE CEILING TO ACCOMMODATE PROPER LOCATION DURING COMMISSIONING.
- K. LOCAL DISCONNECT SWITCH LOCATED AT THE CONTROLLER.
- L. SEGMENT MANAGER AND A NETWORKED SYSTEM SHALL BE IMPLEMENTED AT THE DIRECTION OF THE CMU PROJECT MANAGER.
- M. MARK ALL DEVICES WITH THE INSTALLED DATE.
- N. WALL SENSORS ARE NOT PERFERRED, CMU PROJECT MANAGER TO APPROVE ALL LOCATIONS.

**\*\* APPROVAL FROM CMU PROJECT MANAGER REQUIRED.**

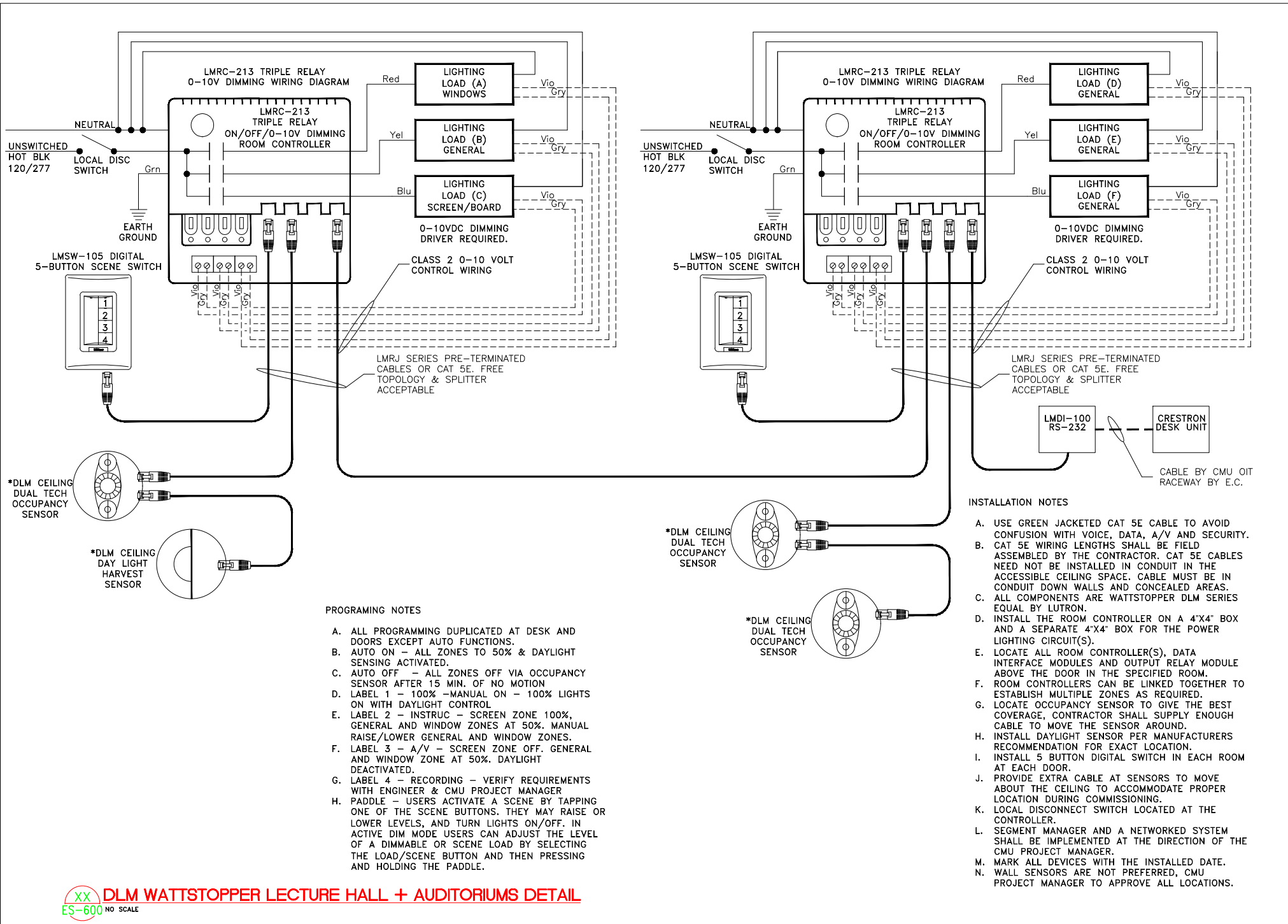


**PROGRAMMING NOTES**

- A. ALL PROGRAMMING DUPLICATED AT DESK AND DOORS EXCEPT AUTO FUNCTIONS.
- B. AUTO ON - ALL ZONES TO 50% & DAYLIGHT SENSING ACTIVATED.
- C. AUTO OFF - ALL ZONES OFF VIA OCCUPANCY SENSOR AFTER 15 MIN. OF NO MOTION
- D. LABEL 1 - 100% -MANUAL ON - 100% LIGHTS ON WITH DAYLIGHT CONTROL
- E. LABEL 2 - INSTRUC - SCREEN ZONE 100%, GENERAL AND WINDOW ZONES AT 50%. MANUAL RAISE/LOWER GENERAL AND WINDOW ZONES.
- F. LABEL 3 - A/V - SCREEN ZONE OFF. GENERAL AND WINDOW ZONE AT 50%. DAYLIGHT DEACTIVATED.
- G. LABEL 4 - SPARE
- H. PADDLE - USERS ACTIVATE A SCENE BY TAPPING ONE OF THE SCENE BUTTONS. THEY MAY RAISE OR LOWER LEVELS, AND TURN LIGHTS ON/OFF. IN ACTIVE DIM MODE USERS CAN ADJUST THE LEVEL OF A DIMMABLE OR SCENE LOAD BY SELECTING THE LOAD/SCENE BUTTON AND THEN PRESSING AND HOLDING THE PADDLE.

**INSTALLATION NOTES**

- A. USE GREEN JACKETED CAT 5E CABLE TO AVOID CONFUSION WITH VOICE, DATA, A/V AND SECURITY.
- B. CAT 5E WIRING LENGTHS SHALL BE FIELD ASSEMBLED BY THE CONTRACTOR. CAT 5E CABLES NEED NOT BE INSTALLED IN CONDUIT IN THE ACCESSIBLE CEILING SPACE. CABLE MUST BE IN CONDUIT DOWN WALLS AND CONCEALED AREAS.
- C. ALL COMPONENTS ARE WATTSTOPPER DLM SERIES EQUAL BY LUTRON.
- D. INSTALL THE ROOM CONTROLLER ON A 4"x4" BOX AND A SEPARATE 4"x4" BOX FOR THE POWER LIGHTING CIRCUIT(S).
- E. LOCATE ALL ROOM CONTROLLER(S), DATA INTERFACE MODULES AND OUTPUT RELAY MODULE ABOVE THE DOOR IN THE SPECIFIED ROOM.
- F. ROOM CONTROLLERS CAN BE LINKED TOGETHER TO ESTABLISH MULTIPLE ZONES AS REQUIRED.
- G. LOCATE OCCUPANCY SENSOR TO GIVE THE BEST COVERAGE, CONTRACTOR SHALL SUPPLY ENOUGH CABLE TO MOVE THE SENSOR AROUND.
- H. INSTALL DAYLIGHT SENSOR PER MANUFACTURERS RECOMMENDATION FOR EXACT LOCATION.
- I. INSTALL 5 BUTTON DIGITAL SWITCH IN EACH ROOM AT EACH DOOR.
- J. PROVIDE EXTRA CABLE AT SENSORS TO MOVE ABOUT THE CEILING TO ACCOMMODATE PROPER LOCATION DURING COMMISSIONING.
- K. LOCAL DISCONNECT SWITCH LOCATED AT THE CONTROLLER.
- L. SEGMENT MANAGER AND A NETWORKED SYSTEM SHALL BE IMPLEMENTED AT THE DIRECTION OF THE CMU PROJECT MANAGER.
- M. MARK ALL DEVICES WITH THE INSTALLED DATE.
- N. WALL SENSORS ARE NOT PREFERRED, CMU PROJECT MANAGER TO APPROVE ALL LOCATIONS.

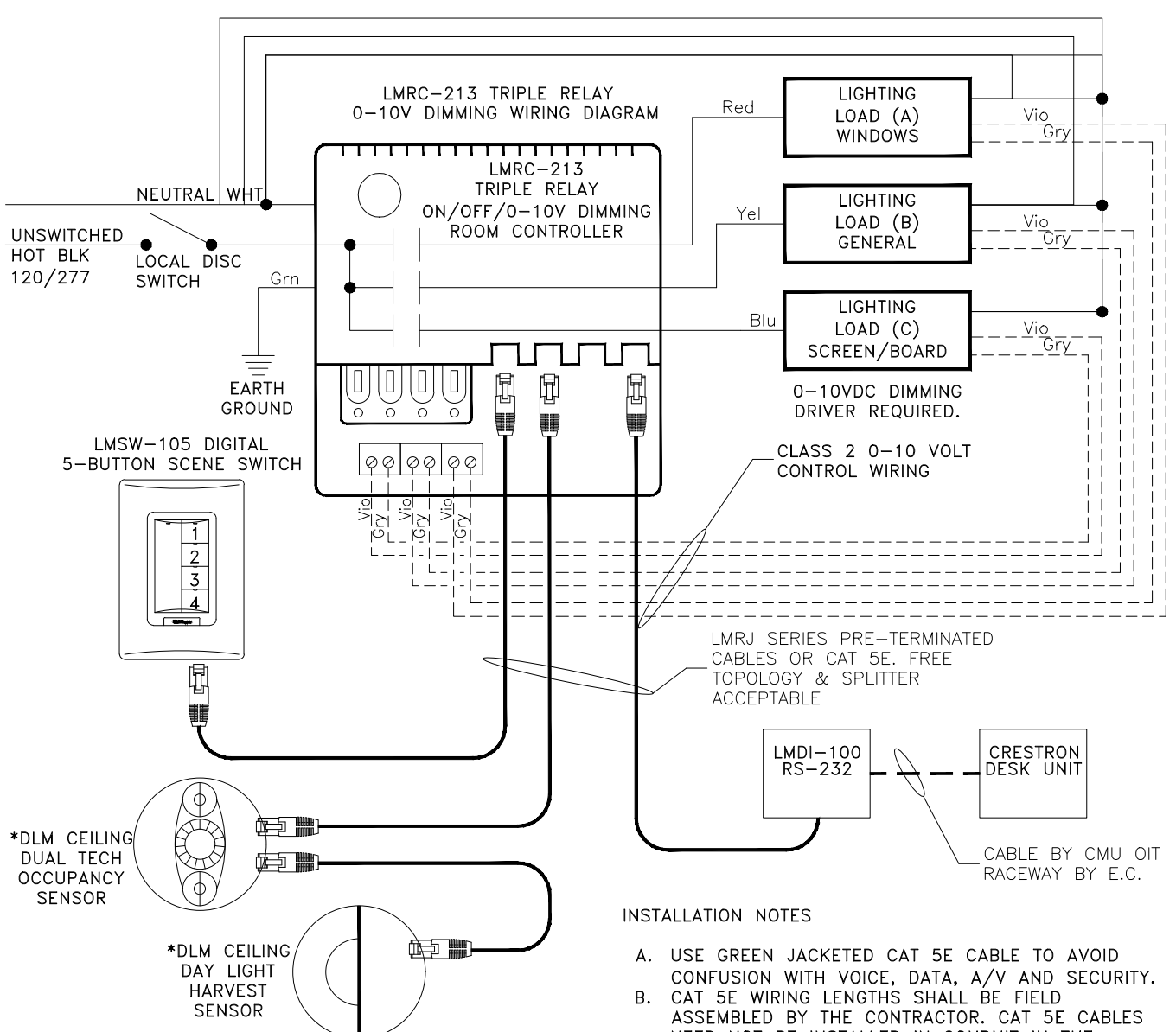


**PROGRAMMING NOTES**

- A. ALL PROGRAMMING DUPLICATED AT DESK AND DOORS EXCEPT AUTO FUNCTIONS.
- B. AUTO ON - ALL ZONES TO 50% & DAYLIGHT SENSING ACTIVATED.
- C. AUTO OFF - ALL ZONES OFF VIA OCCUPANCY SENSOR AFTER 15 MIN. OF NO MOTION
- D. LABEL 1 - 100% -MANUAL ON - 100% LIGHTS ON WITH DAYLIGHT CONTROL
- E. LABEL 2 - INSTRUC - SCREEN ZONE 100%, GENERAL AND WINDOW ZONES AT 50%. MANUAL RAISE/LOWER GENERAL AND WINDOW ZONES.
- F. LABEL 3 - A/V - SCREEN ZONE OFF, GENERAL AND WINDOW ZONE AT 50%. DAYLIGHT DEACTIVATED.
- G. LABEL 4 - RECORDING - VERIFY REQUIREMENTS WITH ENGINEER & CMU PROJECT MANAGER
- H. PADDLE - USERS ACTIVATE A SCENE BY TAPPING ONE OF THE SCENE BUTTONS. THEY MAY RAISE OR LOWER LEVELS, AND TURN LIGHTS ON/OFF. IN ACTIVE DIM MODE USERS CAN ADJUST THE LEVEL OF A DIMMABLE OR SCENE LOAD BY SELECTING THE LOAD/SCENE BUTTON AND THEN PRESSING AND HOLDING THE PADDLE.

**INSTALLATION NOTES**

- A. USE GREEN JACKETED CAT 5E CABLE TO AVOID CONFUSION WITH VOICE, DATA, A/V AND SECURITY.
- B. CAT 5E WIRING LENGTHS SHALL BE FIELD ASSEMBLED BY THE CONTRACTOR. CAT 5E CABLES NEED NOT BE INSTALLED IN CONDUIT IN THE ACCESSIBLE CEILING SPACE. CABLE MUST BE IN CONDUIT DOWN WALLS AND CONCEALED AREAS.
- C. ALL COMPONENTS ARE WATTSTOPPER DLM SERIES EQUAL BY LUTRON.
- D. INSTALL THE ROOM CONTROLLER ON A 4"X4" BOX AND A SEPARATE 4"X4" BOX FOR THE POWER LIGHTING CIRCUIT(S).
- E. LOCATE ALL ROOM CONTROLLER(S), DATA INTERFACE MODULES AND OUTPUT RELAY MODULE ABOVE THE DOOR IN THE SPECIFIED ROOM.
- F. ROOM CONTROLLERS CAN BE LINKED TOGETHER TO ESTABLISH MULTIPLE ZONES AS REQUIRED.
- G. LOCATE OCCUPANCY SENSOR TO GIVE THE BEST COVERAGE, CONTRACTOR SHALL SUPPLY ENOUGH CABLE TO MOVE THE SENSOR AROUND.
- H. INSTALL DAYLIGHT SENSOR PER MANUFACTURERS RECOMMENDATION FOR EXACT LOCATION.
- I. INSTALL 5 BUTTON DIGITAL SWITCH IN EACH ROOM AT EACH DOOR.
- J. PROVIDE EXTRA CABLE AT SENSORS TO MOVE ABOUT THE CEILING TO ACCOMMODATE PROPER LOCATION DURING COMMISSIONING.
- K. LOCAL DISCONNECT SWITCH LOCATED AT THE CONTROLLER.
- L. SEGMENT MANAGER AND A NETWORKED SYSTEM SHALL BE IMPLEMENTED AT THE DIRECTION OF THE CMU PROJECT MANAGER.
- M. MARK ALL DEVICES WITH THE INSTALLED DATE.
- N. WALL SENSORS ARE NOT PREFERRED, CMU PROJECT MANAGER TO APPROVE ALL LOCATIONS.

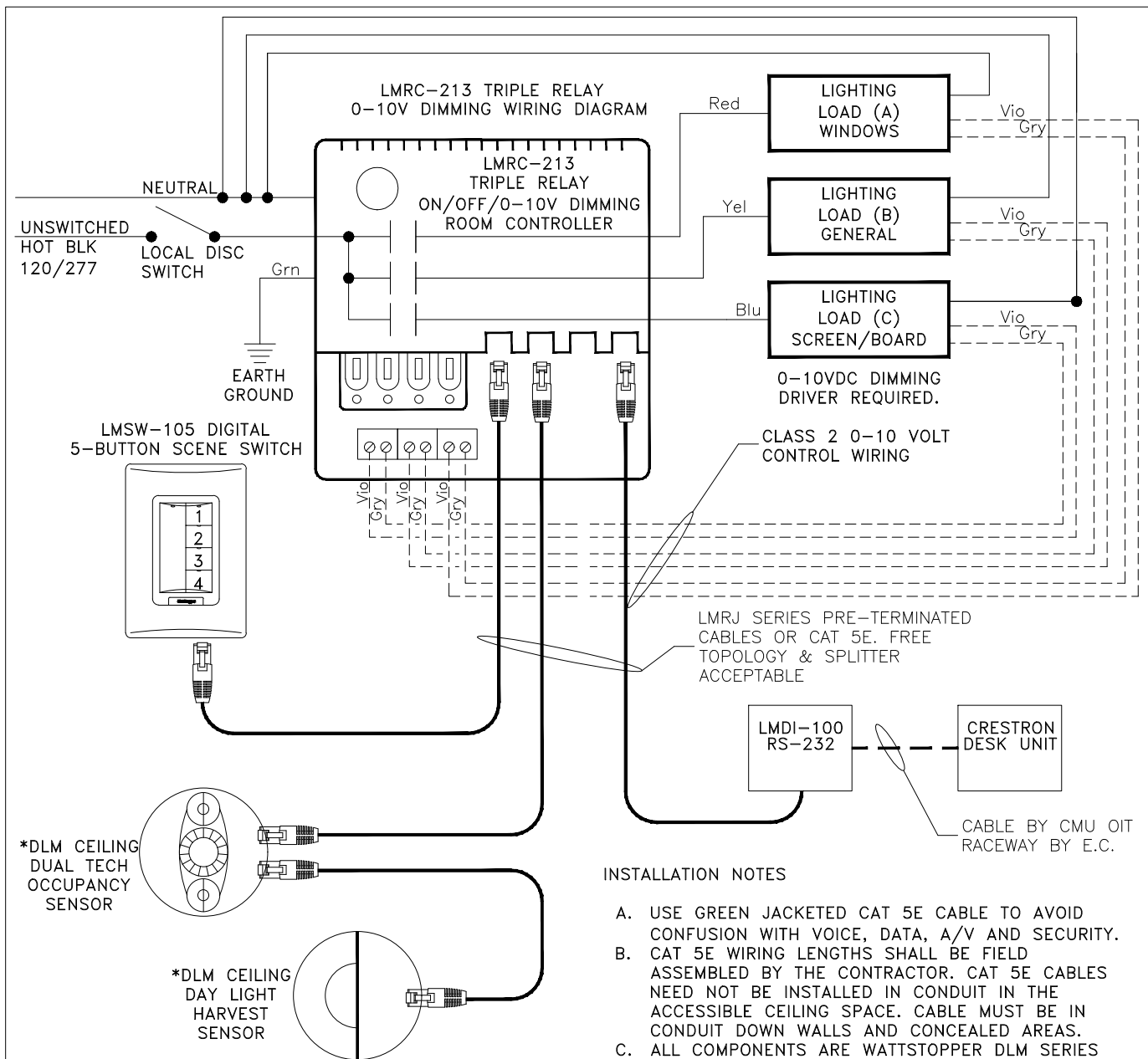


**PROGRAMMING NOTES**

- A. ALL PROGRAMMING DUPLICATED AT DESK AND DOORS EXCEPT AUTO FUNCTIONS.
- B. AUTO ON - ALL ZONES TO 50% & DAYLIGHT SENSING ACTIVATED.
- C. AUTO OFF - ALL ZONES OFF VIA OCCUPANCY SENSOR AFTER 15 MIN. OF NO MOTION
- D. LABEL 1 - 100% -MANUAL ON - 100% LIGHTS ON WITH DAYLIGHT CONTROL
- E. LABEL 2 - INSTRUC - SCREEN ZONE 100%, GENERAL AND WINDOW ZONES AT 50%. MANUAL RAISE/LOWER GENERAL AND WINDOW ZONES.
- F. LABEL 3 - A/V - SCREEN ZONE OFF. GENERAL AND WINDOW ZONE AT 50%. DAYLIGHT DEACTIVATED.
- G. LABEL 4 - SPARE
- H. PADDLE - USERS ACTIVATE A SCENE BY TAPPING ONE OF THE SCENE BUTTONS. THEY MAY RAISE OR LOWER LEVELS, AND TURN LIGHTS ON/OFF. IN ACTIVE DIM MODE USERS CAN ADJUST THE LEVEL OF A DIMMABLE OR SCENE LOAD BY SELECTING THE LOAD/SCENE BUTTON AND THEN PRESSING AND HOLDING THE PADDLE.

**INSTALLATION NOTES**

- A. USE GREEN JACKETED CAT 5E CABLE TO AVOID CONFUSION WITH VOICE, DATA, A/V AND SECURITY.
- B. CAT 5E WIRING LENGTHS SHALL BE FIELD ASSEMBLED BY THE CONTRACTOR. CAT 5E CABLES NEED NOT BE INSTALLED IN CONDUIT IN THE ACCESSIBLE CEILING SPACE. CABLE MUST BE IN CONDUIT DOWN WALLS AND CONCEALED AREAS.
- C. ALL COMPONENTS ARE WATTSTOPPER DLM SERIES EQUAL BY LUTRON.
- D. INSTALL THE ROOM CONTROLLER ON A 4"x4" BOX AND A SEPARATE 4"x4" BOX FOR THE POWER LIGHTING CIRCUIT(S).
- E. LOCATE ALL ROOM CONTROLLER(S), DATA INTERFACE MODULES AND OUTPUT RELAY MODULE ABOVE THE DOOR IN THE SPECIFIED ROOM.
- F. ROOM CONTROLLERS CAN BE LINKED TOGETHER TO ESTABLISH MULTIPLE ZONES AS REQUIRED.
- G. LOCATE OCCUPANCY SENSOR TO GIVE THE BEST COVERAGE, CONTRACTOR SHALL SUPPLY ENOUGH CABLE TO MOVE THE SENSOR AROUND.
- H. INSTALL DAYLIGHT SENSOR PER MANUFACTURERS RECOMMENDATION FOR EXACT LOCATION.
- I. INSTALL 5 BUTTON DIGITAL SWITCH IN EACH ROOM AT EACH DOOR.
- J. PROVIDE EXTRA CABLE AT SENSORS TO MOVE ABOUT THE CEILING TO ACCOMMODATE PROPER LOCATION DURING COMMISSIONING.
- K. LOCAL DISCONNECT SWITCH LOCATED AT THE CONTROLLER.
- L. SEGMENT MANAGER AND A NETWORKED SYSTEM SHALL BE IMPLEMENTED AT THE DIRECTION OF THE CMU PROJECT MANAGER.
- M. MARK ALL DEVICES WITH THE INSTALLED DATE.
- N. WALL SENSORS ARE NOT PREFERRED, CMU PROJECT MANAGER TO APPROVE ALL LOCATIONS.

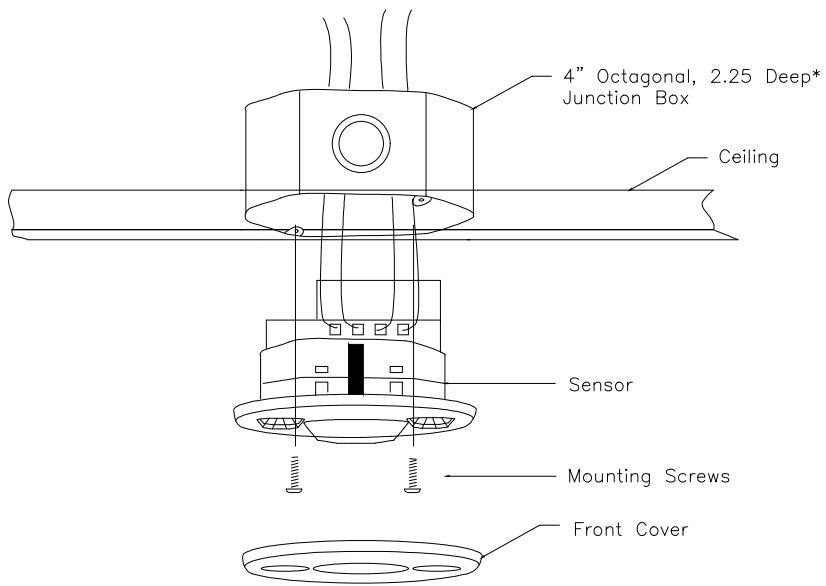
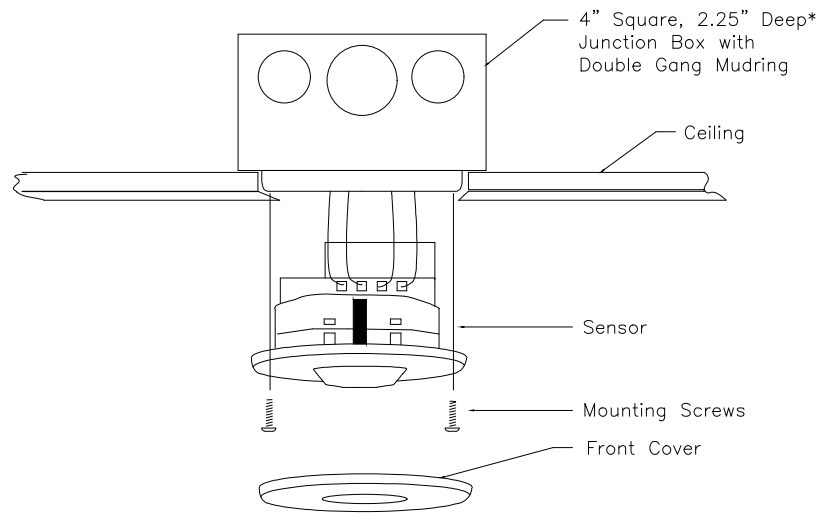


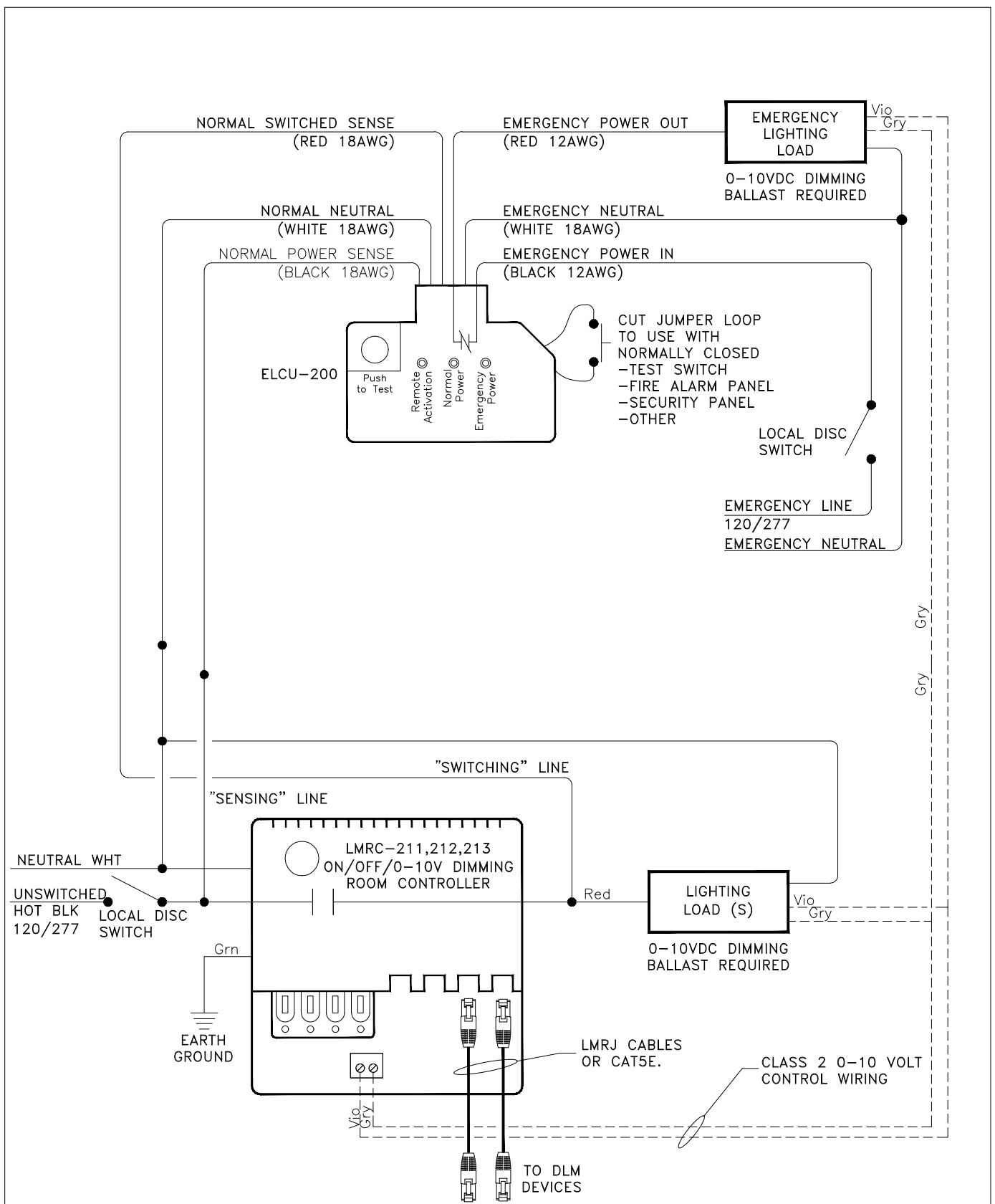
**PROGRAMING NOTES**

- A. ALL PROGRAMMING DUPLICATED AT DESK AND DOORS EXCEPT AUTO FUNCTIONS.
- B. AUTO ON - ALL ZONES TO 50% & DAYLIGHT SENSING ACTIVATED.
- C. AUTO OFF - ALL ZONES OFF VIA OCCUPANCY SENSOR AFTER 15 MIN. OF NO MOTION
- D. LABEL 1 - 100% -MANUAL ON - 100% LIGHTS ON WITH DAYLIGHT CONTROL
- E. LABEL 2 - INSTRUC - SCREEN ZONE 100%, GENERAL AND WINDOW ZONES AT 50%. MANUAL RAISE/LOWER GENERAL AND WINDOW ZONES.
- F. LABEL 3 - A/V - SCREEN ZONE OFF. GENERAL AND WINDOW ZONE AT 50%. DAYLIGHT DEACTIVATED.
- G. LABEL 4 - SPARE
- H. PADDLE - USERS ACTIVATE A SCENE BY TAPPING ONE OF THE SCENE BUTTONS. THEY MAY RAISE OR LOWER LEVELS, AND TURN LIGHTS ON/OFF. IN ACTIVE DIM MODE USERS CAN ADJUST THE LEVEL OF A DIMMABLE OR SCENE LOAD BY SELECTING THE LOAD/SCENE BUTTON AND THEN PRESSING AND HOLDING THE PADDLE.

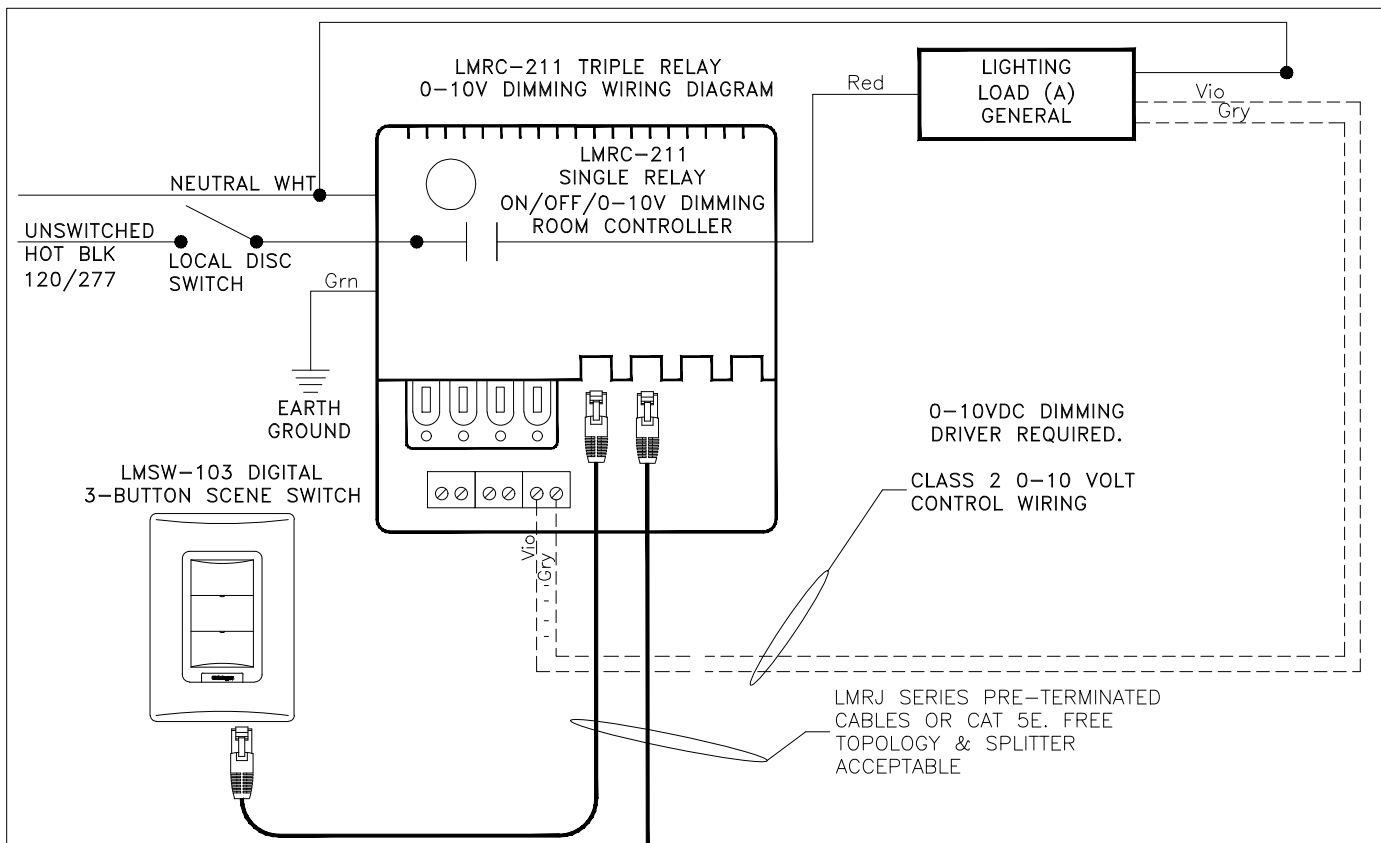
**INSTALLATION NOTES**

- A. USE GREEN JACKETED CAT 5E CABLE TO AVOID CONFUSION WITH VOICE, DATA, A/V AND SECURITY.
- B. CAT 5E WIRING LENGTHS SHALL BE FIELD ASSEMBLED BY THE CONTRACTOR. CAT 5E CABLES NEED NOT BE INSTALLED IN CONDUIT IN THE ACCESSIBLE CEILING SPACE. CABLE MUST BE IN CONDUIT DOWN WALLS AND CONCEALED AREAS.
- C. ALL COMPONENTS ARE WATTSTOPPER DLM SERIES EQUAL BY LUTRON.
- D. INSTALL THE ROOM CONTROLLER ON A 4"x4" BOX AND A SEPARATE 4"x4" BOX FOR THE POWER LIGHTING CIRCUIT(S).
- E. LOCATE ALL ROOM CONTROLLER(S), DATA INTERFACE MODULES AND OUTPUT RELAY MODULE ABOVE THE DOOR IN THE SPECIFIED ROOM.
- F. ROOM CONTROLLERS CAN BE LINKED TOGETHER TO ESTABLISH MULTIPLE ZONES AS REQUIRED.
- G. LOCATE OCCUPANCY SENSOR TO GIVE THE BEST COVERAGE, CONTRACTOR SHALL SUPPLY ENOUGH CABLE TO MOVE THE SENSOR AROUND.
- H. INSTALL DAYLIGHT SENSOR PER MANUFACTURERS RECOMMENDATION FOR EXACT LOCATION.
- I. INSTALL 5 OR 8 BUTTON DIGITAL SWITCH IN EACH ROOM AT EACH DOOR.
- J. PROVIDE EXTRA CABLE AT SENSORS TO MOVE ABOUT THE CEILING TO ACCOMMODATE PROPER LOCATION DURING COMMISSIONING.
- K. LOCAL DISCONNECT SWITCH LOCATED AT THE CONTROLLER.
- L. SEGMENT MANAGER AND A NETWORKED SYSTEM SHALL BE IMPLEMENTED AT THE DIRECTION OF THE CMU PROJECT MANAGER.
- M. MARK ALL DEVICES WITH THE INSTALLED DATE.
- N. WALL SENSORS ARE NOT PREFERRED, CMU PROJECT MANAGER TO APPROVE ALL LOCATIONS.





SEQUENCE OF OPERATION: UPON THE LOSS OF NORMAL POWER, THE ELCU-200 WILL BYPASS THE ROOM CONTROLLER AND FORCE THE EMERGENCY FIXTURES ON. THE ESRU1C (120VAC) OR ESRH1C (277VAC) WILL FORCE THE DIMMED EMERGENCY FIXTURE TO 100%. THE ELCU AND ESR DEVICES ARE UL924 LISTED AND WILL MONITOR THE SAME NORMAL CIRCUIT.



**INSTALLATION NOTES**

- A. USE GREEN JACKETED CAT 5E CABLE TO AVOID CONFUSION WITH VOICE, DATA, A/V AND SECURITY.
- B. CAT 5E WIRING LENGTHS SHALL BE FIELD ASSEMBLED BY THE CONTRACTOR. CAT 5E CABLES NEED NOT BE INSTALLED IN CONDUIT IN THE ACCESSIBLE CEILING SPACE. CABLE MUST BE IN CONDUIT DOWN WALLS AND CONCEALED AREAS.
- C. ALL COMPONENTS ARE WATTSTOPPER DLM SERIES EQUAL BY LUTRON.
- D. INSTALL THE ROOM CONTROLLER ON A 4"x4" BOX AND A SEPARATE 4"x4" BOX FOR THE POWER LIGHTING CIRCUIT(S).
- E. LOCATE ALL ROOM CONTROLLER(S), DATA INTERFACE MODULES AND OUTPUT RELAY MODULE ABOVE THE DOOR IN THE SPECIFIED ROOM.
- F. ROOM CONTROLLERS CAN BE LINKED TOGETHER TO ESTABLISH MULTIPLE ZONES AS REQUIRED.
- G. LOCATE OCCUPANCY SENSOR TO GIVE THE BEST COVERAGE, CONTRACTOR SHALL SUPPLY ENOUGH CABLE TO MOVE THE SENSOR AROUND.
- H. INSTALL DAYLIGHT SENSOR PER MANUFACTURERS RECOMMENDATION FOR EXACT LOCATION.
- I. INSTALL 3 BUTTON DIGITAL SWITCH IN EACH ROOM AT EACH DOOR.
- J. PROVIDE EXTRA CABLE AT SENSORS TO MOVE ABOUT THE CEILING TO ACCOMMODATE PROPER LOCATION DURING COMMISSIONING.
- K. LOCAL DISCONNECT SWITCH LOCATED AT THE CONTROLLER.
- L. SEGMENT MANAGER AND A NETWORKED SYSTEM SHALL BE IMPLEMENTED AT THE DIRECTION OF THE CMU PROJECT MANAGER.
- M. MARK ALL DEVICES WITH THE INSTALLED DATE.
- N. WALL SENSORS ARE NOT PERFERRED, CMU PROJECT MANAGER TO APPROVE ALL LOCATIONS.

**PROGRAMING NOTES**

- A. NO PROGRAMMING TO A CRESTRON UNIT.
- B. DAY LIGHT CONTROL TO MAINTAIN 70% OF LIGHT LEVEL OR PROGRAMMED AMOUNT.
- C. AUTO ON - ALL TO 50% & DAYLIGHT CONTROL ACTIVATED.
- D. AUTO OFF - ALL OFF VIA OCCUPANCY SENSOR AFTER 15 MIN. OF NO MOTION
- E. LABEL 1 - 100% -MANUAL ON - 100% LIGHTS ON WITH DAYLIGHT CONTROL
- F. LABEL 2 -. MANUAL RAISE/LOWER
- G. LABEL 3 - ALL OFF - ALL LIGHTS OFF WITH DAYLIGHT CONTROL DEACTIVATED.

**\*\* APPROVAL FROM CMU PROJECT MANAGER REQUIRED.**



REVISION HISTORY

DATE	REVISION	APPROVED BY
2/3/20	UPDATED LIGHTING CONTROL DETAILS	P. TANNER