

50% SCHEMATIC DESIGN REVIEW	<input type="checkbox"/>
ISSUE DATE:	
85% SCHEMATIC DESIGN REVIEW	<input type="checkbox"/>
ISSUE DATE:	
50% DESIGN DEVELOPMENT REVIEW	<input type="checkbox"/>
ISSUE DATE:	
95% DESIGN DEVELOPMENT REVIEW	<input type="checkbox"/>
ISSUE DATE:	
50% CONSTRUCTION DOC. REVIEW	<input type="checkbox"/>
ISSUE DATE:	
95% CONSTRUCTION DOC. REVIEW	<input type="checkbox"/>
ISSUE DATE:	
BID AND CONSTRUCTION SET	<input type="checkbox"/>
ISSUE DATE:	
FINAL RECORD - AS BUILT SET	<input type="checkbox"/>
ISSUE DATE:	
FOR REFERENCE ONLY	<input type="checkbox"/>
ISSUE DATE:	
STATE PLAN REVIEW	<input type="checkbox"/>
ISSUE DATE:	

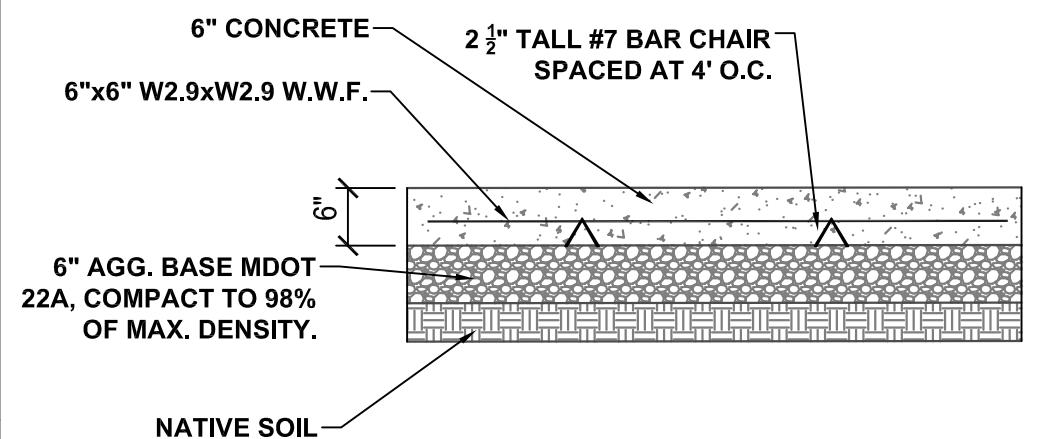
△	DATE	DESCRIPTION
1		
2		
3		
4		
5		
6		
7		
8		
9		
10		
11		
12		
13		

DRAWN BY: _____
CHECKED BY: _____
APPROVED BY: _____
SHEET NO.
C-800
A/E PROJECT NO. _____
CMU PROJECT NO. _____



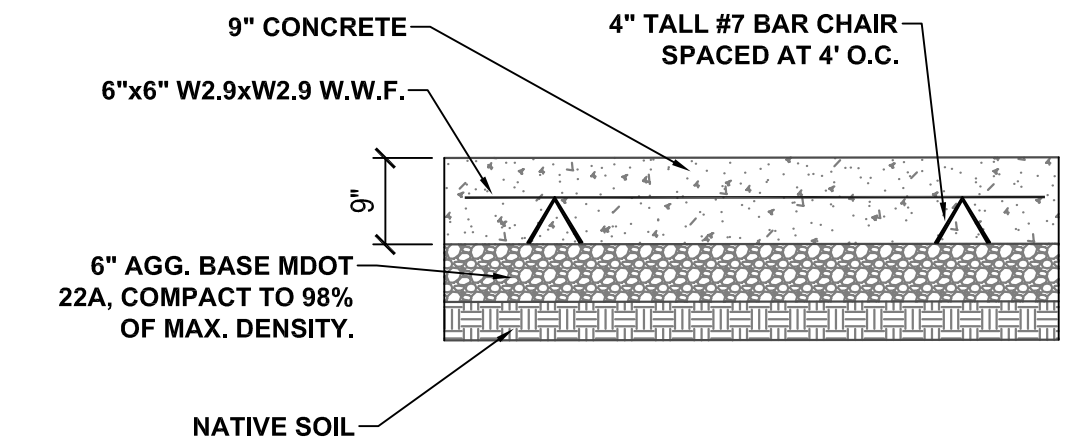
NOTE:
ALL FIRE LANES SHALL BE MARKED BY ONE SIGN AT EACH POINT OF ENTRY

FIRE LANE SIGN TYPES



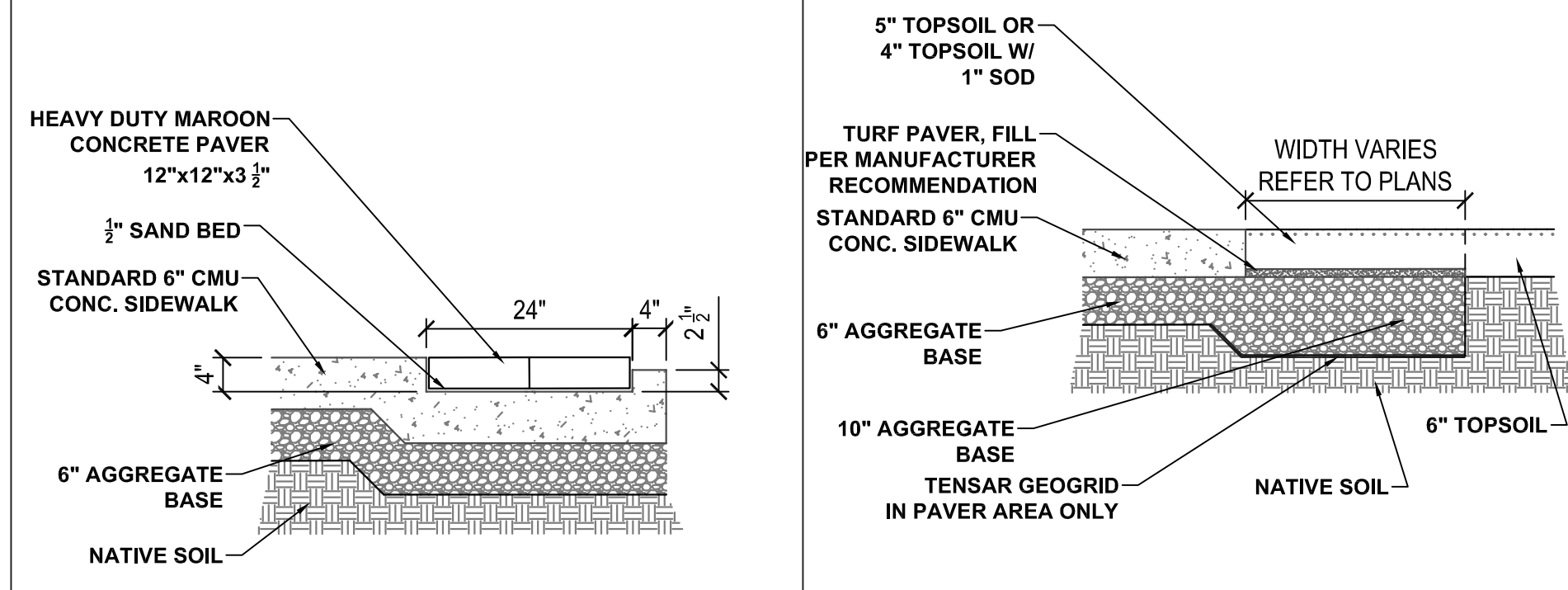
NOTE:
SIDEWALK CONSTRUCTION TO BE 6" THICK CONCRETE OVER 6" 22A COMPACTED GRAVEL. PROVIDE 6x6 W2.9xW2.9 W.W.F. MINIMUM WIDTH SHALL BE 8' UNLESS OTHERWISE NOTED ON PLANS. POURED CONCRETE TO BE CLASS C AIR-ENTRAINED NOT LESS THAN 5% OR MORE THAN 8%. FINISH CONCRETE MUST TEST A MINIMUM OF 4,000 LBS. COMPRESSIVE STRENGTH AT 28 DAYS TO BE ACCEPTED.

STANDARD DUTY CONCRETE



NOTE:
POURED CONCRETE TO BE CLASS C AIR-ENTRAINED NOT LESS THAN 5% OR MORE THAN 8%. FINISH CONCRETE MUST TEST A MINIMUM OF 4,000 LBS. COMPRESSIVE STRENGTH AT 28 DAYS TO BE ACCEPTED.

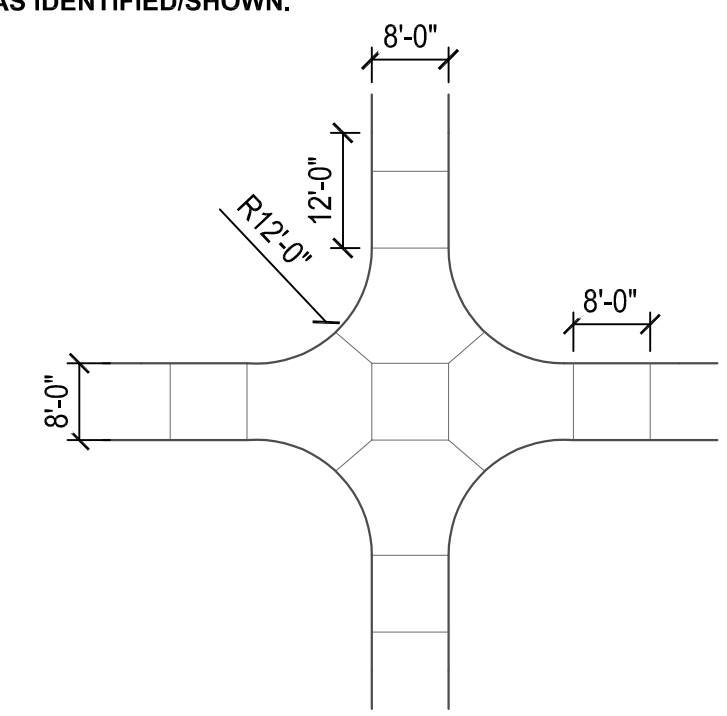
HEAVY DUTY CONCRETE



CONC. PAVER DETAIL SECTION A - A

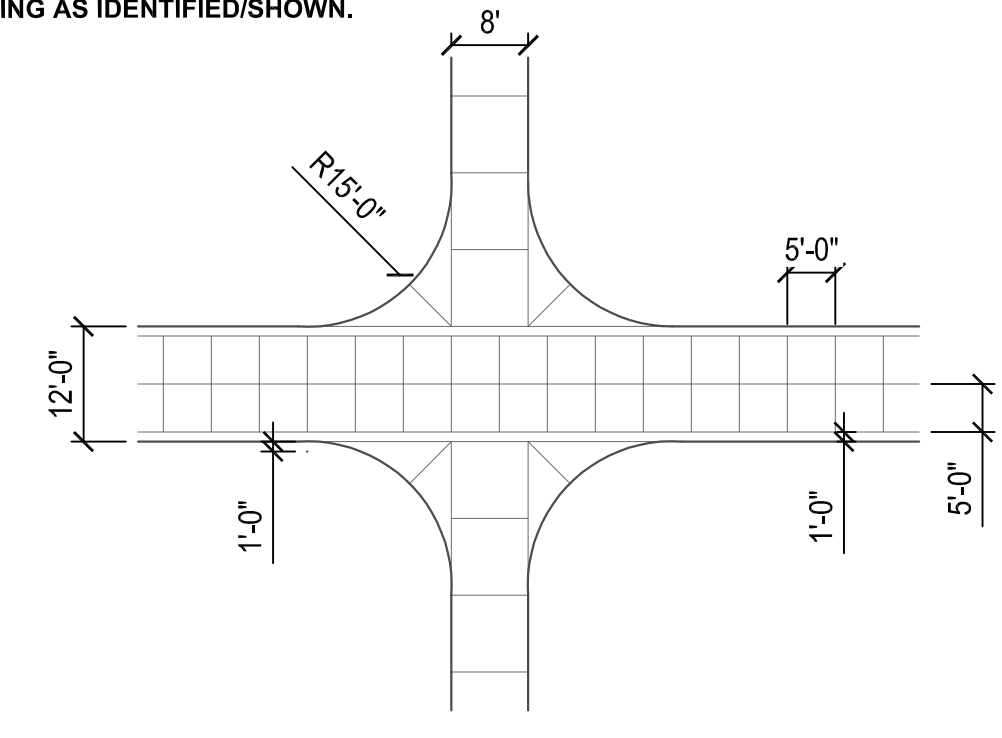
TURF PAVER DETAIL

ALL SIDEWALK INTERSECTIONS SHALL BE ONE MONOLITHIC POUR WITH SCORING AS IDENTIFIED/SHOWN.



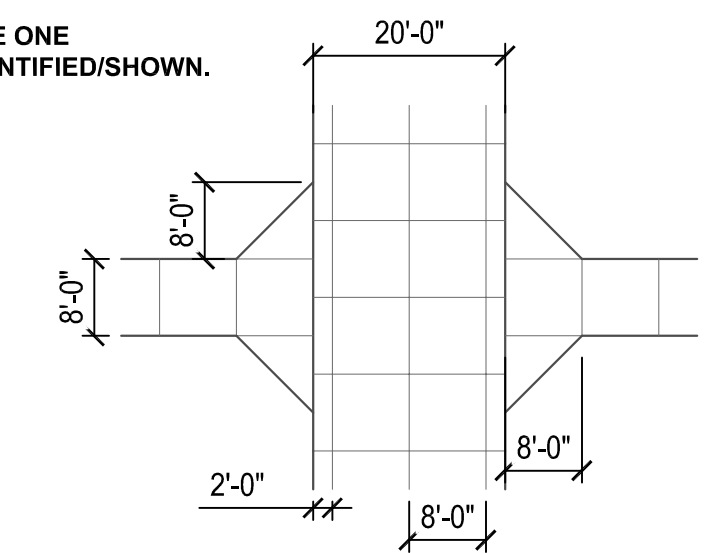
8' SIDEWALK INTERSECT 8' SIDEWALK

ALL SIDEWALK INTERSECTIONS SHALL BE ONE MONOLITHIC POUR WITH SCORING AS IDENTIFIED/SHOWN.

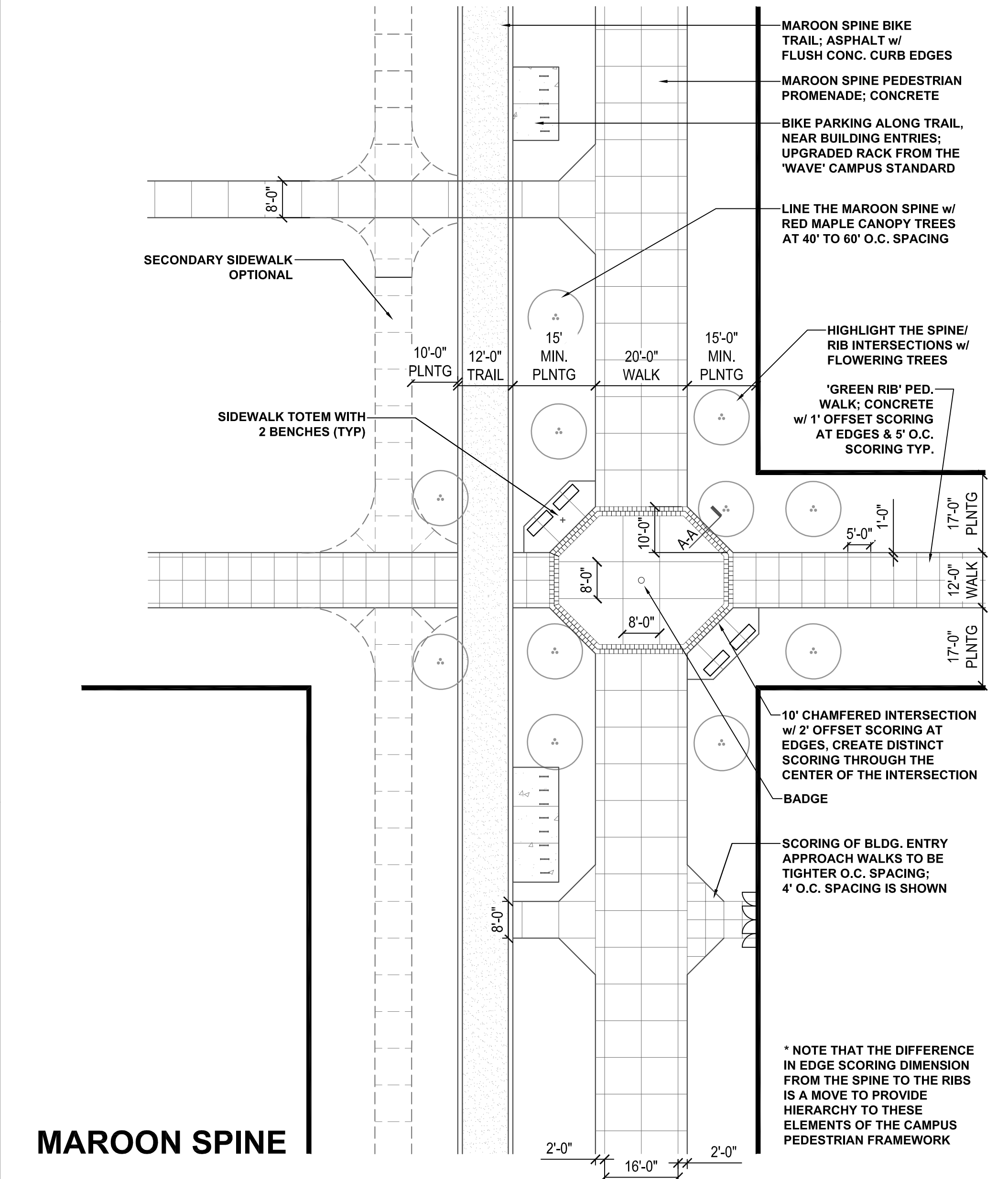


8' SIDEWALK INTERSECT 12' RIB

ALL SIDEWALK INTERSECTIONS SHALL BE ONE MONOLITHIC POUR WITH SCORING AS IDENTIFIED/SHOWN.



8' SIDEWALK INTERSECT MAROON SPINE

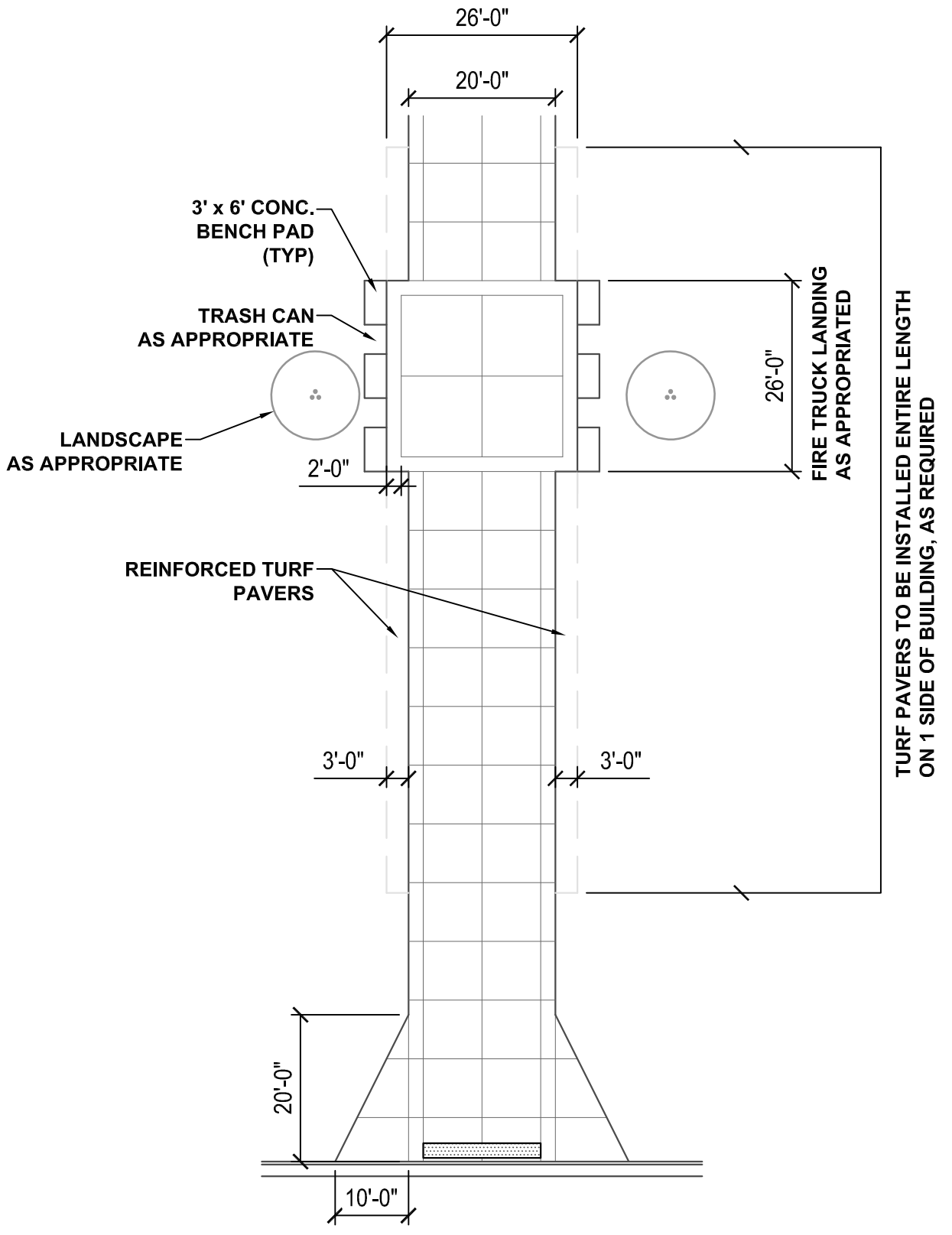


HIGHLIGHT THE SPINE/RIB INTERSECTIONS w/ FLOWERING TREES
'GREEN RIB' PED. WALK; CONCRETE w/ 1' OFFSET SCORING AT EDGES & 5' O.C. SCORING TYP.

10' CHAMFERED INTERSECTION w/ 2' OFFSET SCORING AT EDGES, CREATE DISTINCT SCORING THROUGH THE CENTER OF THE INTERSECTION
BADGE

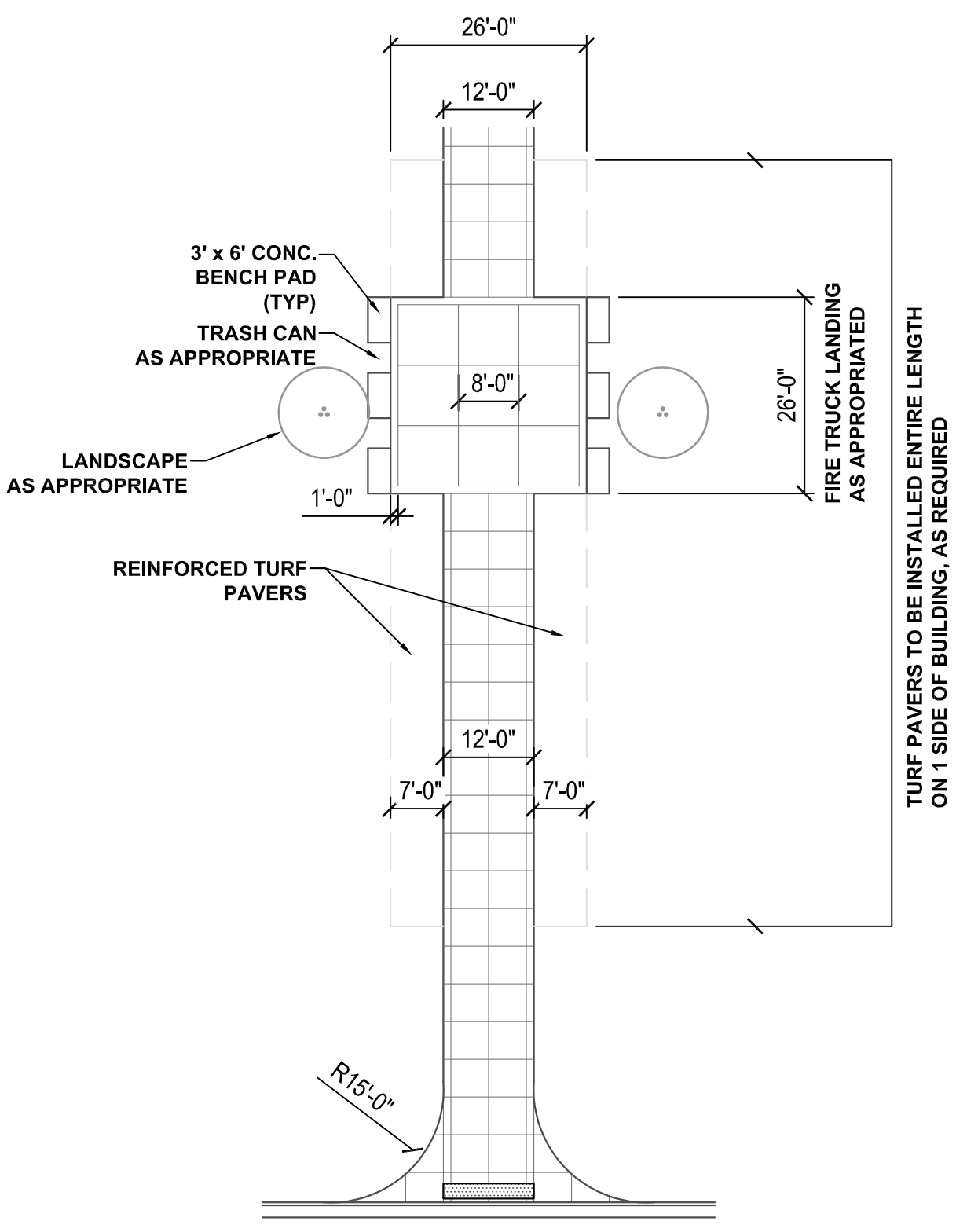
SCORING OF BLDG. ENTRY APPROACH WALKS TO BE TIGHTER O.C. SPACING; 4' O.C. SPACING IS SHOWN

* NOTE THAT THE DIFFERENCE IN EDGE SCORING DIMENSION FROM THE SPINE TO THE RIBS IS A MOVE TO PROVIDE HIERARCHY TO THESE ELEMENTS OF THE CAMPUS PEDESTRIAN FRAMEWORK



FIRE ACCESS ROUTE & OUTRIGGER PAD MAROON SPINE (AS REQUIRED)

TURF PAVERS TO BE INSTALLED ENTIRE LENGTH ON 1 SIDE OF BUILDING, AS REQUIRED



FIRE ACCESS ROUTE & OUTRIGGER PAD ON RIB (AS REQUIRED)

TURF PAVERS TO BE INSTALLED ENTIRE LENGTH ON 1 SIDE OF BUILDING, AS REQUIRED